



TECHNICAL GUIDE

AFFINITY™ SERIES

SPLIT SYSTEM AIR CONDITIONERS

18 SEER – R-410A – 1 PHASE

2 THRU 5 NOMINAL TONS

MODELS: CZH024 THRU 060*

FOR INSTALLATION IN ALL US REGIONS AND CANADA



Due to continuous product improvement, specifications are subject to change without notice.

Visit us on the web at

www.upgnet.com and www.york.com

Additional rating information can be found at

www.ahridirectory.org

WARRANTY SUMMARY*

Extended 10-Years limited parts warranty.

Extended Lifetime limited compressor warranty.

Extended parts and compressor warranties require online registration within 90 days of purchase for replacement or closing for new home construction.

*Does not apply to R-22 models, 3-Phase models, or internet sales.

See Limited Warranty certificate in User's Information Manual for details.

DESCRIPTION

The 18 SEER Series unit is the outdoor part of a versatile climate system. It is designed with a matching indoor coil component from. Available for typical applications this climate system is supported with accessories and documents to serve specific functions.

FEATURES

Superior Coil Protection - A stamped, decorative metal coil guard protects the tube-in-fin coil from debris and other damaging material.

Protected Compressor - The compressor is safeguarded against abnormal pressures and temperatures by an internal pressure relief valve, an internal temperature sensor, and factory high and low pressure system controls. A factory installed liquid line filter-drier further protects the compressor against moisture and debris.

Environmentally Friendly Refrigerant - The next generation refrigerant R-410A delivers environmentally friendly performance with zero ozone depletion.

Durable Finish - An automotive quality finish provides the ultimate protection from harmful UV rays and rust creep, ensuring a long-lasting, high quality appearance. A powder-paint topcoat is applied over a baked-on primer using a galvanized, zinc coated steel base material. The result is a finish that has been proven in testing to provide 33% greater durability than conventional powder-coat finishes.

QuietDrive™ System - Features combination of swept-wing fan, composite base pan, isolated compressor compartment, and two-stage compressor to reduce overall sound to a mere whisper.

Low RPM ECM Fan Motor - Helps to reduce airflow noise.

Swept Wing Fan - A fan design boasting technology adapted from aeronautic and defense engineering provides for whisper-quiet operation by allowing air to flow smoothly and efficiently across the fan tips.

Composite Base Pan - The strong and durable composite base pan provides added strength while resisting rust and corrosion, as well as reducing sound and vibration.

Isolated Compressor Compartment - A molded composite bulkhead isolates the refrigeration components and the compressor from the rest of the unit, reducing sound and vibration.

Lower Installed Cost - Designed to provide enhanced installability by featuring a slide-down control compartment that allows easy access to control components, along with angled service valves to reduce overall installation time and cost. Factory charged for a 15 foot lineset.

Factory Installed Filter-Drier - A factory installed, solid core liquid line filter-drier removes harmful debris and moisture from the system.

Easy Service Access - A full end, full service access panel with handle makes for easy entry to internal components.

Communications Capable - Requiring only a simple 4-wire installation, the communicating capability enables the use of the Touch Screen Communicating Control, allowing real time visibility of system operation and the use of diagnostic features, while still maintaining the ability to function with a traditional thermostat.

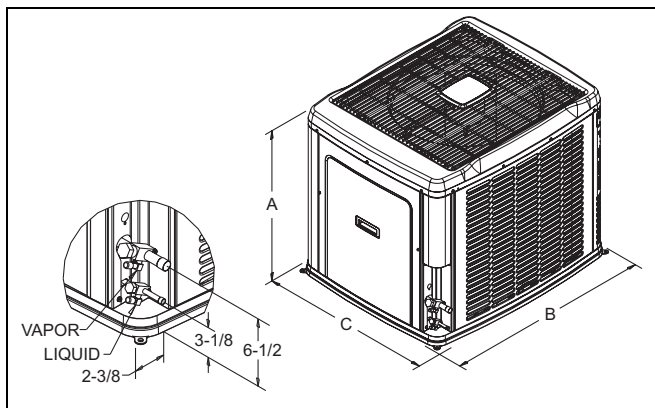
Premium System Warranty* - Limited lifetime compressor warranty when registered online within 90 days of installation.

Agency Listed - Safety certified by CSA to UL 1995 / CSA 22.2. Performance certified to ANSI/AHRI Standard 210/240 in accordance with the Unitary Small Equipment certification program.

Physical and Electrical Data

MODEL		CZH02412C	CZH03612C	CZH04812C	CZH06012C
Unit Supply Voltage		208-230V, 1 ϕ , 60Hz			
Normal Voltage Range ¹		187 to 252			
Minimum Circuit Ampacity		17.4	21.8	29.2	36.6
Max. Overcurrent Device Amps ²		25	35	50	60
Min. Overcurrent Device Amps ³		20	25	30	40
Compressor Amps	Type	2-Stage Scroll	2-Stage Scroll	2-Stage Scroll	2-Stage Scroll
	Rated Load	11.6	15.2	21.1	27.1
	Locked Rotor	58	83	104	153
Crankcase Heater		No	No	No	No
Factory External Discharge Muffler		No	No	No	No
Factory External Check Valve		No	No	No	No
HS Kit Required with TXV ⁴		No	No	No	No
Fan Diameter Inches		24	24	24	24
Fan Motor	Rated HP	1/3	1/3	1/3	1/3
	Rated Load Amps	2.8	2.8	2.8	2.8
	Nominal RPM	685	685	685	685
	Nominal CFM	2900	3000	3260	3220
Coil	Face Area Sq. Ft.	23.6	23.6	23.6	23.6
	Rows Deep	2	2	2	2
	Fins / Inch	16	16	14	14
Liquid Line OD (in) (Field Installed)		3/8	3/8	3/8	3/8
Vapor Line OD (in) (Field Installed)		3/4	3/4	7/8	7/8
Unit Charge (Lbs. - Oz.) ⁵		15 - 4	12 - 14	15 - 14	13 - 10
Charge Per Foot, Oz.		0.62	0.62	0.67	0.67
Operating Weight Lbs.		285	285	310	315

1. Rated in accordance with AHRI Standard 110-2012, utilization range "A".
2. Dual element fuses or HACR circuit breaker. Maximum allowable overcurrent protection.
3. Dual element fuses or HACR circuit breaker. Minimum recommended overcurrent protection.
4. See Hard Start Kit Accessory Installation Manual for Hard Start Kit part number for each model.
5. The Unit Charge is correct for the outdoor unit, smallest matched indoor unit, and 15 feet of refrigerant tubing. For tubing lengths other than 15 feet, add or subtract the amount of refrigerant, using the difference in actual lineset length (not equivalent length) multiplied by the per foot value.



Unit Model	Dimensions (Inches)			Refrigerant Connection Service Valve Size	
	A	B	C	Liquid	Vapor
024	40	42-1/4	34	3/8	3/4
036	40	42-1/4	34		
048	40	42-1/4	34		7/8
060	40	42-1/4	34		

All dimensions are in inches and are subject to change without notice.
 Overall height is from bottom of base pan to top of fan guard.
 Overall length and width include screw heads.

System Charge for Various Matched Systems				
Outdoor Unit	CZH02412C	CZH03612C	CZH04812C	CZH06012C
Required TXV ^{1,2}	4F1	4H1	4J1	4K1
Indoor Unit ^{3,4,5}	Additional Charge, Oz			
AHE24B	0	–	–	–
AHE30B	0	–	–	–
AHE36C	–	5	–	–
AHE42D	–	5	–	–
AHE48D	–	–	4	–
AHE60D	–	–	9	5
AHV24B	2	–	–	–
AHV30B	0	–	–	–
AHV36C	6	6	–	–
AHV42D	–	20	–	–
AHV48D	–	14	5	–
AHV60D	–	–	9	5
FC/MC/PC32	0	–	–	–
FC/MC/PC35	0	0	–	–
FC/MC/PC37	5	6	–	–
FC/MC/PC43	5	6	–	–
FC/MC/PC48	14	12	5	–
FC/MC/PC60	–	15	4	0
FC/MC62	–	20	9	5
FC64	–	25	17	12
HD36	5	–	–	–
HD48	–	25	–	–
HD60	–	–	9	4
UC48	9	14	0	–
UC60	–	–	5	1

Some of the combinations shown in the above System Charge table require Advanced Main Air Circulating Fan indoor product. For approved coil only matches, please see the "COOLING CAPACITY - Upflow, Downflow & Horizontal Furnaces and Coils" table.

FOOTNOTES:

1. For applications requiring a TXV use S1-1TVM*** series kit.
2. A TXV kit must be used with these indoor units to obtain system performance.
3. Systems matched with furnaces or air handlers not equipped with blower-off delays may require blower Time Delay Kit S1-2FD06700224.
4. PC coils cannot be used in downflow or horizontal applications. FC coils cannot be used in horizontal applications.
5. Refer to Cooling Performance Data tables for actual performance for specified system matches.

PROCEDURES:

1. Unit factory charge listed on the unit nameplate includes refrigerant for the outdoor unit, the smallest matched indoor unit, and 15 feet of interconnecting line tubing.
2. Verify the TXV and additional charge required for specific matched indoor unit in the system using the above table.
3. Add additional charge for the amount of interconnecting line tubing greater than 15 feet at the rate specified in Physical and Electrical Data Table.
4. For indoor matches requiring additional charge, the refrigerant needs to be weighed in for specific matched indoor unit and actual lineset length.
5. Permanently mark the unit nameplate with the total system charge. Total System Charge = Base Charge (as shipped) + charge adder for matched indoor unit + charge adder for actual lineset length.

COOLING CAPACITY - With Air Handler Coils

UNIT MODEL	AIR HANDLER		COIL MODEL ¹	COOLING					
	MODEL	WIDTH		STAGE	RATED CFM	NET MBH		SEER	EER
						TOTAL	SENS.		
18 SEER AC WITH AIR HANDLERS									
CZH02412C	AHE24B	17.5	-	1	515	20.2	13.0	17.25	22.50
CZH02412C	AHE24B	17.5	-	2	795	23.0	16.1	17.25	13.50
CZH02412C	AHE30B	17.5	-	1	515	20.2	13.0	17.25	22.50
CZH02412C	AHE30B	17.5	-	2	795	23.0	16.1	17.25	13.50
CZH02412C	AHV24B	17.5	-	1	470	19.8	12.4	17.00	22.25
CZH02412C	AHV24B	17.5	-	2	710	22.6	15.3	17.00	13.50
CZH02412C	AHV30B	17.5	-	1	500	20.2	13.0	17.50	22.75
CZH02412C	AHV30B	17.5	-	2	775	23.0	16.1	17.50	13.50
CZH02412C	AHV36C	21.0	-	1	485	20.2	12.8	17.50	22.75
CZH02412C	AHV36C	21.0	-	2	760	23.2	16.1	17.50	13.75
CZH02412C	MV12B	17.5	FC/MC35B	1	620	21.0	14.1	17.50	22.75
CZH02412C	MV12B	17.5	FC/MC35B	2	800	23.0	16.2	17.50	13.75
CZH02412C	MV12B	17.5	FC/MC43B	1	620	21.0	14.2	17.50	22.75
CZH02412C	MV12B	17.5	FC/MC43B	2	800	23.4	16.6	17.50	13.75
CZH02412C	MV12D	24.5	FC/MC48D	1	605	21.2	14.2	18.25	24.00
CZH02412C	MV12D	24.5	FC/MC48D	2	905	24.0	17.5	18.25	14.50
CZH02412C	MX12BN21	17.5	FC/MC35B	1	595	20.8	13.7	17.75	23.25
CZH02412C	MX12BN21	17.5	FC/MC35B	2	800	22.8	15.9	17.75	13.50
CZH03612C	AHE36C	21.0	-	1	850	29.8	20.1	17.75	23.00
CZH03612C	AHE36C	21.0	-	2	1190	35.2	24.6	17.75	13.50
CZH03612C	AHE42D	24.5	-	1	685	28.8	18.3	17.50	22.75
CZH03612C	AHE42D	24.5	-	2	1180	35.4	24.8	17.50	14.00
CZH03612C	AHV36C	21.0	-	1	785	29.6	19.4	18.00	23.50
CZH03612C	AHV36C	21.0	-	2	1215	35.0	24.6	18.00	13.25
CZH03612C	AHV42D	24.5	-	1	790	29.8	19.6	18.50	24.25
CZH03612C	AHV42D	24.5	-	2	1180	35.4	24.8	18.50	13.75
CZH03612C	AHV48D	24.5	-	1	835	30.0	20.1	18.50	24.25
CZH03612C	AHV48D	24.5	-	2	1155	35.2	24.4	18.50	14.00
CZH03612C	MV12B	17.5	FC/MC35B	1	775	29.0	18.8	17.00	22.00
CZH03612C	MV12B	17.5	FC/MC35B	2	1200	34.4	23.8	17.00	13.00
CZH03612C	MV12B	17.5	FC/MC43B	1	805	29.6	19.6	17.50	23.00
CZH03612C	MV12B	17.5	FC/MC43B	2	1225	35.2	24.8	17.50	13.50
CZH03612C	MV12D	24.5	FC/MC48D	1	785	29.8	19.5	18.00	23.75
CZH03612C	MV12D	24.5	FC/MC48D	2	1160	35.4	24.6	18.00	14.00
CZH03612C	MV12D	24.5	FC/MC60D	1	735	29.2	18.8	17.75	23.00
CZH03612C	MV12D	24.5	FC/MC60D	2	1135	35.0	24.0	17.75	13.75
CZH03612C	MV12D	24.5	FC/MC62D	1	795	29.8	19.7	18.50	24.25
CZH03612C	MV12D	24.5	FC/MC62D	2	1235	36.0	25.6	18.50	14.25
CZH03612C	MV12D	24.5	FC64D	1	780	30.4	20.1	18.75	24.75
CZH03612C	MV12D	24.5	FC64D	2	1155	36.5	25.6	18.75	14.50
CZH03612C	MV16C	21.0	FC/MC35C	1	780	29.0	18.9	17.25	22.75
CZH03612C	MV16C	21.0	FC/MC35C	2	1190	34.6	24.0	17.25	13.50
CZH03612C	MV16C	21.0	FC/MC43C	1	775	29.2	19.2	17.25	22.50
CZH03612C	MV16C	21.0	FC/MC43C	2	1200	35.0	24.6	17.25	13.50
CZH03612C	MV16C	21.0	FC/MC48C	1	775	29.6	19.5	17.50	23.00
CZH03612C	MV16C	21.0	FC/MC48C	2	1200	35.2	24.4	17.50	13.75
CZH03612C	MV20D	24.5	FC/MC48D	1	860	30.2	20.3	18.25	23.75
CZH03612C	MV20D	24.5	FC/MC48D	2	1300	36.0	25.8	18.25	14.00
CZH03612C	MV20D	24.5	FC/MC60D	1	860	30.2	20.3	18.00	23.75
CZH03612C	MV20D	24.5	FC/MC60D	2	1300	36.0	25.6	18.00	14.00
CZH03612C	MV20D	24.5	FC/MC62D	1	860	30.0	20.3	18.25	23.75
CZH03612C	MV20D	24.5	FC/MC62D	2	1300	36.5	26.2	18.25	14.00

For Notes See Page 5.

COOLING CAPACITY - With Air Handler Coils (Continued)

UNIT MODEL	AIR HANDLER		COIL MODEL ¹	COOLING					
	MODEL	WIDTH		STAGE	RATED CFM	NET MBH		SEER	EER
						TOTAL	SENS.		
18 SEER AC WITH AIR HANDLERS									
CZH03612C	MV20D	24.5	FC64D	1	860	31.0	21.1	18.75	24.75
CZH03612C	MV20D	24.5	FC64D	2	1300	37.0	27.1	18.75	14.25
CZH03612C	MX12BN21	17.5	FC/MC35B	1	735	28.8	18.7	17.50	23.00
CZH03612C	MX12BN21	17.5	FC/MC35B	2	1125	34.0	23.2	17.50	13.00
CZH03612C	MX12BN21	17.5	FC/MC43B	1	740	29.4	19.2	18.00	23.75
CZH03612C	MX12BN21	17.5	FC/MC43B	2	1125	34.4	23.6	18.00	13.25
CZH03612C	MX12DN21	24.5	FC/MC48D	1	830	30.0	20.1	18.25	24.00
CZH03612C	MX12DN21	24.5	FC/MC48D	2	1125	35.2	24.2	18.25	14.00
CZH03612C	MX12DN21	24.5	FC/MC60D	1	845	30.0	20.1	18.25	24.00
CZH03612C	MX12DN21	24.5	FC/MC60D	2	1150	35.2	24.4	18.25	14.00
CZH03612C	MX12DN21	24.5	FC64D	1	880	31.2	21.3	19.00	25.25
CZH03612C	MX12DN21	24.5	FC64D	2	1175	36.5	26.0	19.00	14.50
CZH04812C	AHE48D	24.5	—	1	955	38.5	24.2	16.00	22.00
CZH04812C	AHE48D	24.5	—	2	1600	45.5	31.0	16.00	12.75
CZH04812C	AHE60D	24.5	—	1	1160	40.0	26.6	16.50	22.50
CZH04812C	AHE60D	24.5	—	2	1565	46.0	31.6	16.50	13.00
CZH04812C	AHV48D	24.5	—	1	1010	39.0	25.0	16.50	22.75
CZH04812C	AHV48D	24.5	—	2	1585	45.5	30.8	16.50	12.50
CZH04812C	AHV60D	24.5	—	1	1000	39.0	25.0	16.50	22.50
CZH04812C	AHV60D	24.5	—	2	1570	46.0	31.4	16.50	12.50
CZH04812C	MV16C	21.0	FC/MC48C	1	1035	39.5	25.2	16.25	22.00
CZH04812C	MV16C	21.0	FC/MC48C	2	1625	45.5	31.6	16.25	12.50
CZH04812C	MV16C	21.0	FC60C	1	1035	39.0	25.0	16.00	22.00
CZH04812C	MV16C	21.0	FC60C	2	1625	45.5	31.2	16.00	12.50
CZH04812C	MV20D	24.5	FC/MC48D	1	1025	39.5	25.2	16.25	22.25
CZH04812C	MV20D	24.5	FC/MC48D	2	1620	46.0	31.6	16.25	12.75
CZH04812C	MV20D	24.5	FC/MC60D	1	1020	39.0	25.0	15.75	21.50
CZH04812C	MV20D	24.5	FC/MC60D	2	1600	45.5	31.2	15.75	12.50
CZH04812C	MV20D	24.5	FC/MC62D	1	1130	40.0	26.4	17.00	23.25
CZH04812C	MV20D	24.5	FC/MC62D	2	1715	47.0	33.4	17.00	13.00
CZH04812C	MV20D	24.5	FC64D	1	1075	41.0	27.0	17.25	24.00
CZH04812C	MV20D	24.5	FC64D	2	1630	47.5	33.3	17.25	13.00
CZH04812C	MX16CN21	21.0	FC/MC48C	1	1015	39.5	25.4	16.75	22.75
CZH04812C	MX16CN21	21.0	FC/MC48C	2	1600	45.5	31.4	16.75	12.50
CZH04812C	MX16CN21	21.0	FC60C	1	1020	39.5	25.2	16.50	22.75
CZH04812C	MX16CN21	21.0	FC60C	2	1600	45.5	31.2	16.50	12.50
CZH06012C	AHE60D	24.5	—	1	1160	47.5	30.8	15.50	20.75
CZH06012C	AHE60D	24.5	—	2	1835	57.5	40.6	15.50	11.75
CZH06012C	AHV60D	24.5	—	1	1090	47.0	30.0	15.50	20.75
CZH06012C	AHV60D	24.5	—	2	1635	56.0	38.7	15.50	11.75
CZH06012C	MV20D	24.5	FC/MC60D	1	1160	47.5	30.2	15.50	20.75
CZH06012C	MV20D	24.5	FC/MC60D	2	1845	57.0	39.7	15.50	11.75
CZH06012C	MV20D	24.5	FC/MC62D	1	1260	48.5	32.0	16.00	21.50
CZH06012C	MV20D	24.5	FC/MC62D	2	1870	58.0	41.2	16.00	12.00
CZH06012C	MV20D	24.5	FC64D	1	1160	49.5	31.8	16.25	22.00
CZH06012C	MV20D	24.5	FC64D	2	1855	58.5	41.6	16.25	11.75

Rated in accordance with DOE test procedures (Federal Register 12-27-79 and 3-18-88) and ANSI/AHRI Standard 210/240.
 Cooling MBH based on 80°F entering air temperature, 50% RH (Relative Humidity), and rated air flow.
 EER (Energy Efficiency Ratio) is the total cooling output in BTUs at 95°F (for high stage operation) or 67°F (for low stage operation) outdoor ambient divided by the total electric power in watt-hours at those conditions.
 SEER (Seasonal Energy Efficiency Ratio) is the total cooling output in BTUs during a normal annual usage period for cooling divided by the total electric power input in watt-hours during the same period.

- 1. MC coils available with a factory installed horizontal drain pan. See price pages for specific model number.
- = Not applicable.
- MA Modular Air Handlers use Coil Only Ratings.

COOLING CAPACITY - Upflow, Downflow & Horizontal Furnaces and Coils (Coil Only Ratings)

UNIT MODEL	COIL		CFM RANGE (MIN.-MAX.)	COOLING					
	MODEL	WIDTH		STAGE	RATED CFM	NET MBH		SEER ¹	EER
						TOTAL	SENS.		
18 SEER AC COIL ONLY RATINGS									
CZH02412C	FC/MC/PC48	21.0,24.5	550 – 650	1	600	20.6	13.7	15.25	19.50
CZH02412C	FC/MC/PC48	21.0,24.5	650 – 950	2	800	23.0	15.9	15.25	12.25
CZH03612C	FC/MC62	24.5	800 – 1000	1	900	29.4	19.9	15.50	19.50
CZH03612C	FC/MC62	24.5	1000 – 1400	2	1200	35.0	24.4	15.50	12.50
CZH04812C	FC/MC62	24.5	1000 – 1400	1	1200	39.5	26.2	14.50	19.25
CZH04812C	FC/MC62	24.5	1400 – 1800	2	1600	45.5	31.2	14.50	12.00
CZH06012C	FC64	24.5	1150 – 1550	1	1350	49.0	33.0	14.15	19.15
CZH06012C	FC64	24.5	1600 – 2000	2	1800	57.0	40.0	14.15	11.70

1. Requires a S1-2FD06700224 Blower Time Delay unless a standard furnace is equipped with one.
 MA Modular Air Handlers use Coil Only Ratings.
 PSC furnaces, such as the TG8S, TGLS, and TG9S, use Coil Only Ratings.

COOLING CAPACITY - With High Efficiency Motor Furnaces

UNIT MODEL	FURNACE		COIL MODEL ¹	COOLING					
	MODEL	WIDTH		STAGE	RATED CFM	NET MBH		SEER	EER
						TOTAL	SENS.		
18 SEER AC WITH HIGH EFFICIENCY MOTOR FURNACES²									
CZH02412C	T*(8,L)V*A12	14.5	FC/MC/PC32A	1	590	20.6	13.7	17.25	22.50
CZH02412C	T*(8,L)V*A12	14.5	FC/MC/PC32A	2	755	22.8	15.9	17.25	13.50
CZH02412C	T*(8,L)V*A12	14.5	FC/MC/PC37A	1	585	20.8	13.6	17.50	22.75
CZH02412C	T*(8,L)V*A12	14.5	FC/MC/PC37A	2	765	23.2	16.3	17.50	13.75
CZH02412C	T*(8,L)V*A12	14.5	HD36	1	595	20.2	13.2	17.25	22.00
CZH02412C	T*(8,L)V*A12	14.5	HD36	2	805	22.6	15.5	17.25	13.25
CZH02412C	T*(8,L)V*B12	17.5	FC/MC/PC35B	1	515	20.0	12.9	17.00	21.75
CZH02412C	T*(8,L)V*B12	17.5	FC/MC/PC35B	2	785	23.0	16.0	17.00	13.50
CZH02412C	T*(8,L)V*B12	17.5	FC/MC/PC43B	1	515	20.2	13.0	16.75	21.75
CZH02412C	T*(8,L)V*B12	17.5	FC/MC/PC43B	2	790	23.2	16.4	16.75	13.75
CZH02412C	T*(8,L)V*B12	17.5	HD36	1	515	19.5	12.4	16.75	21.25
CZH02412C	T*(8,L)V*B12	17.5	HD36	2	760	22.4	15.1	16.75	13.25
CZH02412C	T*(8,L)V*C16	21.0	FC/MC/PC35C	1	600	20.6	13.7	17.25	22.50
CZH02412C	T*(8,L)V*C16	21.0	FC/MC/PC35C	2	775	23.0	16.0	17.25	13.75
CZH02412C	T*(8,L)V*C16	21.0	FC/MC/PC43C	1	645	21.4	14.6	17.75	23.25
CZH02412C	T*(8,L)V*C16	21.0	FC/MC/PC43C	2	770	23.2	16.2	17.75	14.00
CZH02412C	T*(8,L)V*C16	21.0	HD36	1	595	20.2	13.3	17.25	22.50
CZH02412C	T*(8,L)V*C16	21.0	HD36	2	855	22.8	15.6	17.25	13.50
CZH02412C	T*9V*A10	14.5	FC/MC/PC32A	1	580	20.6	13.6	16.75	21.75
CZH02412C	T*9V*A10	14.5	FC/MC/PC32A	2	785	22.6	15.8	16.75	12.75
CZH02412C	T*9V*A10	14.5	FC/MC/PC37A	1	570	20.6	13.6	16.75	21.75
CZH02412C	T*9V*A10	14.5	FC/MC/PC37A	2	790	23.0	16.1	16.75	13.00
CZH02412C	T*9V*B12	17.5	FC/MC/PC35B	1	550	20.4	13.4	17.25	22.50
CZH02412C	T*9V*B12	17.5	FC/MC/PC35B	2	815	23.0	16.2	17.25	13.50
CZH02412C	T*9V*B12	17.5	FC/MC/PC43B	1	550	20.8	13.7	17.75	23.25
CZH02412C	T*9V*B12	17.5	FC/MC/PC43B	2	800	23.2	16.3	17.75	13.50
CZH02412C	T*9V*B12	17.5	HD36	1	590	20.2	13.2	17.25	22.00
CZH02412C	T*9V*B12	17.5	HD36	2	815	22.8	15.5	17.25	13.50
CZH02412C	T*9V*C16	21.0	FC/MC/PC35C	1	645	21.2	14.5	17.75	23.25
CZH02412C	T*9V*C16	21.0	FC/MC/PC35C	2	900	23.4	17.1	17.75	13.50
CZH02412C	T*9V*C16	21.0	FC/MC/PC48C	1	635	21.4	14.5	18.25	24.00
CZH02412C	T*9V*C16	21.0	FC/MC/PC48C	2	890	23.8	17.5	18.25	14.00
CZH02412C	T*9V*C16	21.0	UC48C	1	635	21.0	14.4	17.50	23.25

For Notes See Page 27.

COOLING CAPACITY - With High Efficiency Motor Furnaces (Continued)

UNIT MODEL	FURNACE		COIL MODEL ¹	COOLING					
	MODEL	WIDTH		STAGE	RATED CFM	NET MBH		SEER	EER
						TOTAL	SENS.		
18 SEER AC WITH HIGH EFFICIENCY MOTOR FURNACES²									
CZH02412C	T*9V*C16	21.0	UC48C	2	890	23.4	17.2	17.50	13.75
CZH02412C	T*9V*C20	21.0	FC/MC/PC43C	1	630	21.2	14.5	18.00	23.75
CZH02412C	T*9V*C20	21.0	FC/MC/PC43C	2	890	23.8	17.4	18.00	14.00
CZH02412C	T*9V*C20	21.0	FC/MC/PC48C	1	630	21.4	14.5	18.25	24.00
CZH02412C	T*9V*C20	21.0	FC/MC/PC48C	2	890	23.8	17.5	18.25	14.00
CZH02412C	T*9V*C20	21.0	UC48C	1	630	21.0	14.2	17.50	23.25
CZH02412C	T*9V*C20	21.0	UC48C	2	890	23.4	17.2	17.50	13.75
CZH02412C	TM8X060A12MP11	14.5	HD36	1	605	20.2	13.2	16.75	21.50
CZH02412C	TM8X060A12MP11	14.5	HD36	2	815	22.8	15.6	16.75	13.50
CZH02412C	TM8X080B12MP11	17.5	HD36	1	655	20.6	13.7	18.00	23.25
CZH02412C	TM8X080B12MP11	17.5	HD36	2	855	23.2	16.1	18.00	14.00
CZH02412C	TM8X080C16MP11	21.0	FC/MC/PC35C	1	635	21.0	14.3	17.25	22.50
CZH02412C	TM8X080C16MP11	21.0	FC/MC/PC35C	2	800	22.8	16.0	17.25	13.00
CZH02412C	TM8X080C16MP11	21.0	FC/MC/PC43C	1	630	21.2	14.3	17.50	22.75
CZH02412C	TM8X080C16MP11	21.0	FC/MC/PC43C	2	800	23.0	16.3	17.50	13.00
CZH02412C	TM8X080C16MP11	21.0	FC/MC/PC48C	1	630	21.2	14.4	17.75	23.00
CZH02412C	TM8X080C16MP11	21.0	FC/MC/PC48C	2	800	23.2	16.2	17.75	13.25
CZH02412C	TM8X080C16MP11	21.0	HD36	1	695	20.8	14.2	17.75	23.25
CZH02412C	TM8X080C16MP11	21.0	HD36	2	855	23.2	16.1	17.75	14.00
CZH02412C	TM8X080C16MP11	21.0	UC48C	1	630	21.0	14.1	17.00	22.50
CZH02412C	TM8X080C16MP11	21.0	UC48C	2	800	22.8	16.0	17.00	13.00
CZH02412C	TM8X100C16MP11	21.0	FC/MC/PC35C	1	635	21.0	14.3	17.25	22.50
CZH02412C	TM8X100C16MP11	21.0	FC/MC/PC35C	2	800	22.8	16.0	17.25	13.00
CZH02412C	TM8X100C16MP11	21.0	FC/MC/PC43C	1	630	21.2	14.3	17.50	22.75
CZH02412C	TM8X100C16MP11	21.0	FC/MC/PC43C	2	800	23.0	16.3	17.50	13.00
CZH02412C	TM8X100C16MP11	21.0	FC/MC/PC48C	1	630	21.2	14.4	17.75	23.00
CZH02412C	TM8X100C16MP11	21.0	FC/MC/PC48C	2	800	23.2	16.2	17.75	13.25
CZH02412C	TM8X100C16MP11	21.0	HD36	1	695	20.8	14.2	17.75	23.25
CZH02412C	TM8X100C16MP11	21.0	HD36	2	855	23.2	16.1	17.75	14.00
CZH02412C	TM8X100C16MP11	21.0	UC48C	1	630	21.0	14.1	17.00	22.50
CZH02412C	TM8X100C16MP11	21.0	UC48C	2	800	22.8	16.0	17.00	13.00
CZH02412C	TMLX060A12MP11	14.5	HD36	1	605	20.2	13.2	16.75	21.50
CZH02412C	TMLX060A12MP11	14.5	HD36	2	815	22.8	15.6	16.75	13.50
CZH02412C	TMLX080B12MP11	17.5	HD36	1	655	20.6	13.7	18.00	23.25
CZH02412C	TMLX080B12MP11	17.5	HD36	2	855	23.2	16.1	18.00	14.00
CZH02412C	TMLX080C16MP11	21.0	FC/MC/PC35C	1	635	21.0	14.3	17.25	22.50
CZH02412C	TMLX080C16MP11	21.0	FC/MC/PC35C	2	800	22.8	16.0	17.25	13.00
CZH02412C	TMLX080C16MP11	21.0	FC/MC/PC43C	1	630	21.2	14.3	17.50	22.75
CZH02412C	TMLX080C16MP11	21.0	FC/MC/PC43C	2	800	23.0	16.3	17.50	13.00
CZH02412C	TMLX080C16MP11	21.0	FC/MC/PC48C	1	630	21.2	14.4	17.75	23.00
CZH02412C	TMLX080C16MP11	21.0	FC/MC/PC48C	2	800	23.2	16.2	17.75	13.25
CZH02412C	TMLX080C16MP11	21.0	HD36	1	695	20.8	14.2	17.75	23.25
CZH02412C	TMLX080C16MP11	21.0	HD36	2	855	23.2	16.1	17.75	14.00
CZH02412C	TMLX080C16MP11	21.0	UC48C	1	630	21.0	14.1	17.00	22.50
CZH02412C	TMLX080C16MP11	21.0	UC48C	2	800	22.8	16.0	17.00	13.00
CZH02412C	TMLX100C16MP11	21.0	FC/MC/PC35C	1	635	21.0	14.3	17.25	22.50
CZH02412C	TMLX100C16MP11	21.0	FC/MC/PC35C	2	800	22.8	16.0	17.25	13.00
CZH02412C	TMLX100C16MP11	21.0	FC/MC/PC43C	1	630	21.2	14.3	17.50	22.75
CZH02412C	TMLX100C16MP11	21.0	FC/MC/PC43C	2	800	23.0	16.3	17.50	13.00
CZH02412C	TMLX100C16MP11	21.0	FC/MC/PC48C	1	630	21.2	14.4	17.75	23.00
CZH02412C	TMLX100C16MP11	21.0	FC/MC/PC48C	2	800	23.2	16.2	17.75	13.25

For Notes See Page 27.

COOLING CAPACITY - With High Efficiency Motor Furnaces (Continued)

UNIT MODEL	FURNACE		COIL MODEL ¹	COOLING					
	MODEL	WIDTH		STAGE	RATED CFM	NET MBH		SEER	EER
						TOTAL	SENS.		
18 SEER AC WITH HIGH EFFICIENCY MOTOR FURNACES²									
CZH02412C	TMLX100C16MP11	21.0	HD36	1	695	20.8	14.2	17.75	23.25
CZH02412C	TMLX100C16MP11	21.0	HD36	2	855	23.2	16.1	17.75	14.00
CZH02412C	TMLX100C16MP11	21.0	UC48C	1	630	21.0	14.1	17.00	22.50
CZH02412C	TMLX100C16MP11	21.0	UC48C	2	800	22.8	16.0	17.00	13.00
CZH02412C	TM9E040A10MP11	14.5	FC/MC/PC32A	1	565	20.6	13.7	17.25	22.25
CZH02412C	TM9E040A10MP11	14.5	FC/MC/PC32A	2	775	22.4	15.7	17.25	12.50
CZH02412C	TM9E060B12MP11	17.5	HD36	1	625	20.2	13.3	17.50	22.75
CZH02412C	TM9E060B12MP11	17.5	HD36	2	790	22.8	15.6	17.50	13.75
CZH02412C	TM9E080B12MP11	17.5	HD36	1	625	20.2	13.3	17.50	22.75
CZH02412C	TM9E080B12MP11	17.5	HD36	2	790	22.8	15.6	17.50	13.75
CZH02412C	TM9E080C16MP11	21.0	HD36	1	690	20.8	14.1	17.75	23.00
CZH02412C	TM9E080C16MP11	21.0	HD36	2	730	22.4	15.0	17.75	13.75
CZH02412C	TM9E100C16MP11	21.0	HD36	1	690	20.8	14.1	17.75	23.00
CZH02412C	TM9E100C16MP11	21.0	HD36	2	730	22.4	15.0	17.75	13.75
CZH02412C	TM9E100C20MP11	21.0	HD36	1	795	21.2	15.3	17.75	22.75
CZH02412C	TM9E100C20MP11	21.0	HD36	2	850	23.0	15.8	17.75	13.75
CZH02412C	TM9X040A10MP11	14.5	FC/MC/PC32A	1	565	20.6	13.7	17.25	22.25
CZH02412C	TM9X040A10MP11	14.5	FC/MC/PC32A	2	775	22.4	15.7	17.25	12.50
CZH02412C	TM9X060B12MP11	17.5	HD36	1	625	20.2	13.3	17.50	22.75
CZH02412C	TM9X060B12MP11	17.5	HD36	2	790	22.8	15.6	17.50	13.75
CZH02412C	TM9X080B12MP11	17.5	HD36	1	625	20.2	13.3	17.50	22.75
CZH02412C	TM9X080B12MP11	17.5	HD36	2	790	22.8	15.6	17.50	13.75
CZH02412C	TM9X080C16MP11	21.0	HD36	1	690	20.8	14.1	17.75	23.00
CZH02412C	TM9X080C16MP11	21.0	HD36	2	730	22.4	15.0	17.75	13.75
CZH02412C	TM9X100C16MP11	21.0	HD36	1	690	20.8	14.1	17.75	23.00
CZH02412C	TM9X100C16MP11	21.0	HD36	2	730	22.4	15.0	17.75	13.75
CZH02412C	TM9X100C20MP11	21.0	HD36	1	795	21.2	15.3	17.75	22.75
CZH02412C	TM9X100C20MP11	21.0	HD36	2	850	23.0	15.8	17.75	13.75
CZH02412C	Y*LC*A12	14.5	FC/MC/PC32A	1	590	20.6	13.7	17.25	22.50
CZH02412C	Y*LC*A12	14.5	FC/MC/PC32A	2	755	22.8	15.9	17.25	13.50
CZH02412C	Y*LC*A12	14.5	FC/MC/PC37A	1	585	20.8	13.6	17.50	22.75
CZH02412C	Y*LC*A12	14.5	FC/MC/PC37A	2	765	23.2	16.3	17.50	13.75
CZH02412C	Y*LC*A12	14.5	HD36	1	595	20.2	13.2	17.25	22.00
CZH02412C	Y*LC*A12	14.5	HD36	2	805	22.6	15.5	17.25	13.25
CZH02412C	Y*LC*B12	17.5	FC/MC/PC35B	1	515	20.0	12.9	17.00	21.75
CZH02412C	Y*LC*B12	17.5	FC/MC/PC35B	2	785	23.0	16.0	17.00	13.50
CZH02412C	Y*LC*B12	17.5	FC/MC/PC43B	1	515	20.2	13.0	16.75	21.75
CZH02412C	Y*LC*B12	17.5	FC/MC/PC43B	2	790	23.2	16.4	16.75	13.75
CZH02412C	Y*LC*B12	17.5	HD36	1	515	19.5	12.4	16.75	21.25
CZH02412C	Y*LC*B12	17.5	HD36	2	760	22.4	15.1	16.75	13.25
CZH02412C	Y*LC*C16	21.0	FC/MC/PC35C	1	600	20.6	13.7	17.25	22.50
CZH02412C	Y*LC*C16	21.0	FC/MC/PC35C	2	775	23.0	16.0	17.25	13.75
CZH02412C	Y*LC*C16	21.0	FC/MC/PC43C	1	645	21.4	14.6	17.75	23.25
CZH02412C	Y*LC*C16	21.0	FC/MC/PC43C	2	770	23.2	16.2	17.75	14.00
CZH02412C	Y*LC*C16	21.0	HD36	1	595	20.2	13.3	17.25	22.50
CZH02412C	Y*LC*C16	21.0	HD36	2	855	22.8	15.6	17.25	13.50
CZH02412C	Y*9C*B12	17.5	FC/MC/PC35B	1	550	20.4	13.4	17.25	22.50
CZH02412C	Y*9C*B12	17.5	FC/MC/PC35B	2	815	23.0	16.2	17.25	13.50
CZH02412C	Y*9C*B12	17.5	FC/MC/PC43B	1	550	20.8	13.7	17.75	23.25
CZH02412C	Y*9C*B12	17.5	FC/MC/PC43B	2	800	23.2	16.3	17.75	13.50

For Notes See Page 27.

COOLING CAPACITY - With High Efficiency Motor Furnaces (Continued)

UNIT MODEL	FURNACE		COIL MODEL ¹	COOLING					
	MODEL	WIDTH		STAGE	RATED CFM	NET MBH		SEER	EER
						TOTAL	SENS.		
18 SEER AC WITH HIGH EFFICIENCY MOTOR FURNACES²									
CZH02412C	Y*9C*B12YCL	17.5	HD36	1	590	20.2	13.2	17.25	22.00
CZH02412C	Y*9C*B12	17.5	HD36	2	815	22.8	15.5	17.25	13.50
CZH02412C	Y*9C*C16	21.0	FC/MC/PC35C	1	645	21.2	14.5	17.75	23.25
CZH02412C	Y*9C*C16	21.0	FC/MC/PC35C	2	900	23.4	17.1	17.75	13.50
CZH02412C	Y*9C*C16	21.0	FC/MC/PC48C	1	635	21.4	14.5	18.25	24.00
CZH02412C	Y*9C*C16	21.0	FC/MC/PC48C	2	890	23.8	17.5	18.25	14.00
CZH02412C	Y*9C*C16	21.0	UC48C	1	635	21.0	14.4	17.50	23.25
CZH02412C	Y*9C*C16	21.0	UC48C	2	890	23.4	17.2	17.50	13.75
CZH02412C	Y*9C*C20	21.0	FC/MC/PC43C	1	630	21.2	14.5	18.00	23.75
CZH02412C	Y*9C*C20	21.0	FC/MC/PC43C	2	890	23.8	17.4	18.00	14.00
CZH02412C	Y*9C*C20	21.0	FC/MC/PC48C	1	630	21.4	14.5	18.25	24.00
CZH02412C	Y*9C*C20	21.0	FC/MC/PC48C	2	890	23.8	17.5	18.25	14.00
CZH02412C	Y*9C*C20	21.0	UC48C	1	630	21.0	14.2	17.50	23.25
CZH02412C	Y*9C*C20	21.0	UC48C	2	890	23.4	17.2	17.50	13.75
CZH03612C	T*(8,L)V*A12	14.5	FC/MC/PC37A	1	730	28.8	18.5	16.75	21.50
CZH03612C	T*(8,L)V*A12	14.5	FC/MC/PC37A	2	1150	34.4	23.6	16.75	12.75
CZH03612C	T*(8,L)V*B12	17.5	FC/MC/PC35B	1	775	28.8	18.7	16.75	21.75
CZH03612C	T*(8,L)V*B12	17.5	FC/MC/PC35B	2	1150	34.2	23.6	16.75	12.75
CZH03612C	T*(8,L)V*B12	17.5	FC/MC/PC43B	1	860	29.8	20.1	17.00	22.00
CZH03612C	T*(8,L)V*B12	17.5	FC/MC/PC43B	2	1275	35.0	24.8	17.00	12.50
CZH03612C	T*(8,L)V*B12	17.5	HD48	1	750	29.2	18.8	17.50	22.75
CZH03612C	T*(8,L)V*B12	17.5	HD48	2	1210	35.4	24.4	17.50	13.25
CZH03612C	T*(8,L)V*C16	21.0	FC/MC/PC35C	1	770	29.0	18.8	17.00	22.00
CZH03612C	T*(8,L)V*C16	21.0	FC/MC/PC35C	2	1210	34.4	23.8	17.00	13.00
CZH03612C	T*(8,L)V*C16	21.0	FC/MC/PC43C	1	770	29.2	19.1	17.25	22.50
CZH03612C	T*(8,L)V*C16	21.0	FC/MC/PC43C	2	1190	35.0	24.4	17.25	13.50
CZH03612C	T*(8,L)V*C16	21.0	FC/MC/PC48C	1	725	29.2	18.7	17.25	22.50
CZH03612C	T*(8,L)V*C16	21.0	FC/MC/PC48C	2	1195	35.4	24.6	17.25	13.75
CZH03612C	T*(8,L)V*C16	21.0	FC/PC60C	1	710	29.2	18.8	17.25	22.50
CZH03612C	T*(8,L)V*C16	21.0	FC/PC60C	2	1185	35.0	24.0	17.25	13.75
CZH03612C	T*(8,L)V*C16	21.0	HD48	1	810	29.8	19.5	18.00	23.25
CZH03612C	T*(8,L)V*C16	21.0	HD48	2	1210	35.8	24.6	18.00	13.75
CZH03612C	T*(8,L)V*C16	21.0	UC48C	1	810	28.8	19.1	17.00	22.25
CZH03612C	T*(8,L)V*C16	21.0	UC48C	2	1210	34.8	24.0	17.00	13.50
CZH03612C	T*(8,L)V*C16	21.0	UC60C	1	810	29.4	19.3	17.50	23.00
CZH03612C	T*(8,L)V*C16	21.0	UC60C	2	1195	35.0	24.4	17.50	13.50
CZH03612C	T*(8,L)V*C20	21.0	FC/MC/PC35C	1	1020	30.2	21.3	17.25	22.50
CZH03612C	T*(8,L)V*C20	21.0	FC/MC/PC35C	2	1165	34.2	23.6	17.25	13.00
CZH03612C	T*(8,L)V*C20	21.0	FC/MC/PC43C	1	740	29.0	18.8	17.25	22.50
CZH03612C	T*(8,L)V*C20	21.0	FC/MC/PC43C	2	1190	35.0	24.4	17.25	13.50
CZH03612C	T*(8,L)V*C20	21.0	FC/MC/PC48C	1	715	29.0	18.6	17.50	22.75
CZH03612C	T*(8,L)V*C20	21.0	FC/MC/PC48C	2	1150	35.2	24.2	17.50	13.75
CZH03612C	T*(8,L)V*C20	21.0	FC/PC60C	1	800	29.6	19.5	17.75	23.25
CZH03612C	T*(8,L)V*C20	21.0	FC/PC60C	2	1215	35.4	24.8	17.75	13.75
CZH03612C	T*(8,L)V*C20	21.0	HD48	1	720	29.0	18.5	17.75	23.00
CZH03612C	T*(8,L)V*C20	21.0	HD48	2	1155	35.4	24.2	17.75	13.75
CZH03612C	T*(8,L)V*C20	21.0	UC48C	1	720	28.0	18.2	16.75	21.75
CZH03612C	T*(8,L)V*C20	21.0	UC48C	2	1155	34.0	23.2	16.75	13.25
CZH03612C	T*(8,L)V*C20	21.0	UC60C	1	800	29.4	19.3	17.50	23.00
CZH03612C	T*(8,L)V*C20	21.0	UC60C	2	1215	35.0	24.4	17.50	13.50
CZH03612C	T*9V*B12	17.5	FC/MC/PC35B	1	810	28.8	18.7	16.50	21.50
CZH03612C	T*9V*B12	17.5	FC/MC/PC35B	2	1190	34.2	23.6	16.50	12.50

For Notes See Page 27.

COOLING CAPACITY - With High Efficiency Motor Furnaces (Continued)

UNIT MODEL	FURNACE		COIL MODEL ¹	COOLING					
	MODEL	WIDTH		STAGE	RATED CFM	NET MBH		SEER	EER
						TOTAL	SENS.		
18 SEER AC WITH HIGH EFFICIENCY MOTOR FURNACES²									
CZH03612C	T*9V*B12	17.5	FC/MC/PC43B	1	815	29.6	19.7	17.00	22.25
CZH03612C	T*9V*B12	17.5	FC/MC/PC43B	2	1200	34.6	24.2	17.00	12.75
CZH03612C	T*9V*B12	17.5	HD48	1	710	28.8	18.3	17.25	22.25
CZH03612C	T*9V*B12	17.5	HD48	2	1150	35.0	23.6	17.25	13.00
CZH03612C	T*9V*C16	21.0	FC/MC/PC35C	1	790	29.0	18.8	17.00	22.25
CZH03612C	T*9V*C16	21.0	FC/MC/PC35C	2	1215	34.4	23.6	17.00	13.00
CZH03612C	T*9V*C16	21.0	FC/MC/PC43C	1	815	29.6	19.7	17.25	22.50
CZH03612C	T*9V*C16	21.0	FC/MC/PC43C	2	1240	35.0	24.8	17.25	13.00
CZH03612C	T*9V*C16	21.0	FC/MC/PC48C	1	780	29.6	19.5	17.50	23.00
CZH03612C	T*9V*C16	21.0	FC/MC/PC48C	2	1195	35.0	24.4	17.50	13.25
CZH03612C	T*9V*C16	21.0	FC/PC60C	1	810	29.6	19.6	17.50	22.75
CZH03612C	T*9V*C16	21.0	FC/PC60C	2	1235	35.2	24.8	17.50	13.25
CZH03612C	T*9V*C16	21.0	HD48	1	780	29.4	19.1	17.75	23.00
CZH03612C	T*9V*C16	21.0	HD48	2	1195	35.2	24.4	17.75	13.25
CZH03612C	T*9V*C16	21.0	UC48C	1	780	28.4	18.5	16.75	21.75
CZH03612C	T*9V*C16	21.0	UC48C	2	1195	33.8	23.0	16.75	13.00
CZH03612C	T*9V*C16	21.0	UC60C	1	810	29.4	19.5	17.25	22.50
CZH03612C	T*9V*C16	21.0	UC60C	2	1235	35.2	24.6	17.25	13.25
CZH03612C	T*9V*C20	21.0	FC/MC/PC35C	1	760	28.8	18.8	17.00	22.00
CZH03612C	T*9V*C20	21.0	FC/MC/PC35C	2	1330	34.8	24.8	17.00	12.75
CZH03612C	T*9V*C20	21.0	FC/MC/PC43C	1	780	29.4	19.3	17.50	22.75
CZH03612C	T*9V*C20	21.0	FC/MC/PC43C	2	1200	35.0	24.4	17.50	13.25
CZH03612C	T*9V*C20	21.0	FC/MC/PC48C	1	745	29.2	18.9	17.50	22.75
CZH03612C	T*9V*C20	21.0	FC/MC/PC48C	2	1330	35.8	25.8	17.50	13.25
CZH03612C	T*9V*C20	21.0	FC/PC60C	1	770	29.4	19.2	17.50	23.00
CZH03612C	T*9V*C20	21.0	FC/PC60C	2	1330	35.6	25.6	17.50	13.25
CZH03612C	T*9V*C20	21.0	HD48	1	745	29.2	18.8	17.50	22.75
CZH03612C	T*9V*C20	21.0	HD48	2	1330	36.0	25.4	17.50	13.25
CZH03612C	T*9V*C20	21.0	UC48C	1	755	28.4	18.4	16.50	21.75
CZH03612C	T*9V*C20	21.0	UC48C	2	1330	34.4	24.9	16.50	12.75
CZH03612C	T*9V*C20	21.0	UC60C	1	770	29.2	19.1	17.50	22.75
CZH03612C	T*9V*C20	21.0	UC60C	2	1330	35.6	25.6	17.50	13.25
CZH03612C	T*9V*D20	24.5	FC/MC/PC48D	1	830	30.0	19.9	17.75	23.25
CZH03612C	T*9V*D20	24.5	FC/MC/PC48D	2	1240	35.6	25.2	17.75	13.50
CZH03612C	T*9V*D20	24.5	FC/MC/PC60D	1	830	29.8	19.9	17.75	23.25
CZH03612C	T*9V*D20	24.5	FC/MC/PC60D	2	1225	35.4	24.8	17.75	13.50
CZH03612C	T*9V*D20	24.5	FC/MC62D	1	835	30.0	20.1	18.00	23.25
CZH03612C	T*9V*D20	24.5	FC/MC62D	2	1235	35.8	25.4	18.00	13.75
CZH03612C	T*9V*D20	24.5	FC64D	1	835	30.6	20.7	18.50	24.25
CZH03612C	T*9V*D20	24.5	FC64D	2	1235	37.0	26.4	18.50	14.00
CZH03612C	T*9V*D20	24.5	HD48	1	830	29.8	19.7	17.75	23.25
CZH03612C	T*9V*D20	24.5	HD48	2	1225	35.8	24.6	17.75	13.75
CZH03612C	T*9V*D20	24.5	UC48D	1	830	29.0	19.4	17.00	22.25
CZH03612C	T*9V*D20	24.5	UC48D	2	1240	34.4	24.0	17.00	13.25
CZH03612C	T*9V*D20	24.5	UC60D	1	830	29.6	19.7	17.50	23.00
CZH03612C	T*9V*D20	24.5	UC60D	2	1225	35.2	24.8	17.50	13.50
CZH03612C	TM8X060A12MP11	14.5	FC/MC/PC37A	1	770	29.4	19.1	17.50	22.75
CZH03612C	TM8X060A12MP11	14.5	FC/MC/PC37A	2	1125	34.2	23.4	17.50	12.75
CZH03612C	TM8X080B12MP11	17.5	FC/MC/PC35B	1	790	29.0	18.8	17.00	22.25
CZH03612C	TM8X080B12MP11	17.5	FC/MC/PC35B	2	1150	34.2	23.6	17.00	12.75
CZH03612C	TM8X080B12MP11	17.5	FC/MC/PC43B	1	805	29.4	19.1	17.25	22.75
CZH03612C	TM8X080B12MP11	17.5	FC/MC/PC43B	2	1175	34.2	23.4	17.25	12.75

For Notes See Page 27.

COOLING CAPACITY - With High Efficiency Motor Furnaces (Continued)

UNIT MODEL	FURNACE		COIL MODEL ¹	COOLING					
	MODEL	WIDTH		STAGE	RATED CFM	NET MBH		SEER	EER
						TOTAL	SENS.		
18 SEER AC WITH HIGH EFFICIENCY MOTOR FURNACES²									
CZH03612C	TM8X080B12MP11	17.5	HD48	1	825	30.0	19.8	18.25	24.00
CZH03612C	TM8X080B12MP11	17.5	HD48	2	1150	35.4	24.2	18.25	13.75
CZH03612C	TM8X080C16MP11	21.0	FC/MC/PC35C	1	765	29.0	19.0	17.50	23.00
CZH03612C	TM8X080C16MP11	21.0	FC/MC/PC35C	2	1125	34.2	23.2	17.50	13.25
CZH03612C	TM8X080C16MP11	21.0	FC/MC/PC43C	1	775	29.4	19.2	18.00	23.50
CZH03612C	TM8X080C16MP11	21.0	FC/MC/PC43C	2	1150	34.4	23.6	18.00	13.25
CZH03612C	TM8X080C16MP11	21.0	FC/MC/PC48C	1	775	29.8	19.5	18.25	24.00
CZH03612C	TM8X080C16MP11	21.0	FC/MC/PC48C	2	1150	35.2	24.4	18.25	13.50
CZH03612C	TM8X080C16MP11	21.0	FC/MC/PC48D	1	805	29.8	19.5	18.00	23.75
CZH03612C	TM8X080C16MP11	21.0	FC/MC/PC48D	2	1175	35.2	24.4	18.00	13.50
CZH03612C	TM8X080C16MP11	21.0	FC/MC/PC60D	1	800	29.8	19.7	18.25	24.00
CZH03612C	TM8X080C16MP11	21.0	FC/MC/PC60D	2	1175	35.2	24.4	18.25	13.50
CZH03612C	TM8X080C16MP11	21.0	FC/MC62D	1	785	29.6	19.6	18.25	23.75
CZH03612C	TM8X080C16MP11	21.0	FC/MC62D	2	1175	35.6	24.8	18.25	13.75
CZH03612C	TM8X080C16MP11	21.0	FC/PC60C	1	790	29.6	19.5	18.00	23.75
CZH03612C	TM8X080C16MP11	21.0	FC/PC60C	2	1175	35.2	24.4	18.00	13.50
CZH03612C	TM8X080C16MP11	21.0	FC64D	1	795	30.4	20.1	18.75	24.75
CZH03612C	TM8X080C16MP11	21.0	FC64D	2	1175	36.5	25.6	18.75	14.00
CZH03612C	TM8X080C16MP11	21.0	HD48	1	650	28.4	17.8	17.50	22.75
CZH03612C	TM8X080C16MP11	21.0	HD48	2	1120	35.4	24.0	17.50	14.00
CZH03612C	TM8X080C16MP11	21.0	UC48C	1	775	28.6	18.6	17.25	22.50
CZH03612C	TM8X080C16MP11	21.0	UC48C	2	1150	34.0	23.2	17.25	13.25
CZH03612C	TM8X080C16MP11	21.0	UC48D	1	805	28.6	18.6	17.25	22.50
CZH03612C	TM8X080C16MP11	21.0	UC48D	2	1175	34.0	23.2	17.25	13.25
CZH03612C	TM8X080C16MP11	21.0	UC60C	1	790	29.4	19.4	18.00	23.50
CZH03612C	TM8X080C16MP11	21.0	UC60C	2	1175	35.0	24.4	18.00	13.50
CZH03612C	TM8X080C16MP11	21.0	UC60D	1	800	29.4	19.4	18.00	23.50
CZH03612C	TM8X080C16MP11	21.0	UC60D	2	1175	35.0	24.4	18.00	13.50
CZH03612C	TM8X100C16MP11	21.0	FC/MC/PC35C	1	765	29.0	19.0	17.50	23.00
CZH03612C	TM8X100C16MP11	21.0	FC/MC/PC35C	2	1125	34.2	23.2	17.50	13.25
CZH03612C	TM8X100C16MP11	21.0	FC/MC/PC43C	1	775	29.4	19.2	18.00	23.50
CZH03612C	TM8X100C16MP11	21.0	FC/MC/PC43C	2	1150	34.4	23.6	18.00	13.25
CZH03612C	TM8X100C16MP11	21.0	FC/MC/PC48C	1	775	29.8	19.5	18.25	24.00
CZH03612C	TM8X100C16MP11	21.0	FC/MC/PC48C	2	1150	35.2	24.4	18.25	13.50
CZH03612C	TM8X100C16MP11	21.0	FC/MC/PC48D	1	805	29.8	19.5	18.00	23.75
CZH03612C	TM8X100C16MP11	21.0	FC/MC/PC48D	2	1175	35.2	24.4	18.00	13.50
CZH03612C	TM8X100C16MP11	21.0	FC/MC/PC60D	1	800	29.8	19.7	18.25	24.00
CZH03612C	TM8X100C16MP11	21.0	FC/MC/PC60D	2	1175	35.2	24.4	18.25	13.50
CZH03612C	TM8X100C16MP11	21.0	FC/MC62D	1	785	29.6	19.6	18.25	23.75
CZH03612C	TM8X100C16MP11	21.0	FC/MC62D	2	1175	35.6	24.8	18.25	13.75
CZH03612C	TM8X100C16MP11	21.0	FC/PC60C	1	790	29.6	19.5	18.00	23.75
CZH03612C	TM8X100C16MP11	21.0	FC/PC60C	2	1175	35.2	24.4	18.00	13.50
CZH03612C	TM8X100C16MP11	21.0	FC64D	1	795	30.4	20.1	18.75	24.75
CZH03612C	TM8X100C16MP11	21.0	FC64D	2	1175	36.5	25.6	18.75	14.00
CZH03612C	TM8X100C16MP11	21.0	HD48	1	650	28.4	17.8	17.50	22.75
CZH03612C	TM8X100C16MP11	21.0	HD48	2	1120	35.4	24.0	17.50	14.00
CZH03612C	TM8X100C16MP11	21.0	UC48C	1	775	28.6	18.6	17.25	22.50
CZH03612C	TM8X100C16MP11	21.0	UC48C	2	1150	34.0	23.2	17.25	13.25
CZH03612C	TM8X100C16MP11	21.0	UC48D	1	805	28.6	18.6	17.25	22.50
CZH03612C	TM8X100C16MP11	21.0	UC48D	2	1175	34.0	23.2	17.25	13.25
CZH03612C	TM8X100C16MP11	21.0	UC60C	1	790	29.4	19.4	18.00	23.50
CZH03612C	TM8X100C16MP11	21.0	UC60C	2	1175	35.0	24.4	18.00	13.50

For Notes See Page 27.

COOLING CAPACITY - With High Efficiency Motor Furnaces (Continued)

UNIT MODEL	FURNACE		COIL MODEL ¹	COOLING					
	MODEL	WIDTH		STAGE	RATED CFM	NET MBH		SEER	EER
						TOTAL	SENS.		
18 SEER AC WITH HIGH EFFICIENCY MOTOR FURNACES²									
CZH03612C	TM8X100C16MP11	21.0	UC60D	1	800	29.4	19.4	18.00	23.50
CZH03612C	TM8X100C16MP11	21.0	UC60D	2	1175	35.0	24.4	18.00	13.50
CZH03612C	TM8X100C20MP11	21.0	HD48	1	820	30.0	19.7	18.00	23.75
CZH03612C	TM8X100C20MP11	21.0	HD48	2	1245	36.0	25.0	18.00	14.00
CZH03612C	TM8X120C20MP11	21.0	HD48	1	820	30.0	19.7	18.00	23.75
CZH03612C	TM8X120C20MP11	21.0	HD48	2	1245	36.0	25.0	18.00	14.00
CZH03612C	TMLX060A12MP11	14.5	FC/MC/PC37A	1	770	29.4	19.1	17.50	22.75
CZH03612C	TMLX060A12MP11	14.5	FC/MC/PC37A	2	1125	34.2	23.4	17.50	12.75
CZH03612C	TMLX080B12MP11	17.5	FC/MC/PC35B	1	790	29.0	18.8	17.00	22.25
CZH03612C	TMLX080B12MP11	17.5	FC/MC/PC35B	2	1150	34.2	23.6	17.00	12.75
CZH03612C	TMLX080B12MP11	17.5	FC/MC/PC43B	1	805	29.4	19.1	17.25	22.75
CZH03612C	TMLX080B12MP11	17.5	FC/MC/PC43B	2	1175	34.2	23.4	17.25	12.75
CZH03612C	TMLX080B12MP11	17.5	HD48	1	825	30.0	19.8	18.25	24.00
CZH03612C	TMLX080B12MP11	17.5	HD48	2	1150	35.4	24.2	18.25	13.75
CZH03612C	TMLX080C16MP11	21.0	FC/MC/PC35C	1	765	29.0	19.0	17.50	23.00
CZH03612C	TMLX080C16MP11	21.0	FC/MC/PC35C	2	1125	34.2	23.2	17.50	13.25
CZH03612C	TMLX080C16MP11	21.0	FC/MC/PC43C	1	775	29.4	19.2	18.00	23.50
CZH03612C	TMLX080C16MP11	21.0	FC/MC/PC43C	2	1150	34.4	23.6	18.00	13.25
CZH03612C	TMLX080C16MP11	21.0	FC/MC/PC48C	1	775	29.8	19.5	18.25	24.00
CZH03612C	TMLX080C16MP11	21.0	FC/MC/PC48C	2	1150	35.2	24.4	18.25	13.50
CZH03612C	TMLX080C16MP11	21.0	FC/MC/PC48D	1	805	29.8	19.5	18.00	23.75
CZH03612C	TMLX080C16MP11	21.0	FC/MC/PC48D	2	1175	35.2	24.4	18.00	13.50
CZH03612C	TMLX080C16MP11	21.0	FC/MC/PC60D	1	800	29.8	19.7	18.25	24.00
CZH03612C	TMLX080C16MP11	21.0	FC/MC/PC60D	2	1175	35.2	24.4	18.25	13.50
CZH03612C	TMLX080C16MP11	21.0	FC/MC62D	1	785	29.6	19.6	18.25	23.75
CZH03612C	TMLX080C16MP11	21.0	FC/MC62D	2	1175	35.6	24.8	18.25	13.75
CZH03612C	TMLX080C16MP11	21.0	FC/PC60C	1	790	29.6	19.5	18.00	23.75
CZH03612C	TMLX080C16MP11	21.0	FC/PC60C	2	1175	35.2	24.4	18.00	13.50
CZH03612C	TMLX080C16MP11	21.0	FC64D	1	795	30.4	20.1	18.75	24.75
CZH03612C	TMLX080C16MP11	21.0	FC64D	2	1175	36.5	25.6	18.75	14.00
CZH03612C	TMLX080C16MP11	21.0	HD48	1	650	28.4	17.8	17.50	22.75
CZH03612C	TMLX080C16MP11	21.0	HD48	2	1120	35.4	24.0	17.50	14.00
CZH03612C	TMLX080C16MP11	21.0	UC48C	1	775	28.6	18.6	17.25	22.50
CZH03612C	TMLX080C16MP11	21.0	UC48C	2	1150	34.0	23.2	17.25	13.25
CZH03612C	TMLX080C16MP11	21.0	UC48D	1	805	28.6	18.6	17.25	22.50
CZH03612C	TMLX080C16MP11	21.0	UC48D	2	1175	34.0	23.2	17.25	13.25
CZH03612C	TMLX080C16MP11	21.0	UC60C	1	790	29.4	19.4	18.00	23.50
CZH03612C	TMLX080C16MP11	21.0	UC60C	2	1175	35.0	24.4	18.00	13.50
CZH03612C	TMLX080C16MP11	21.0	UC60D	1	800	29.4	19.4	18.00	23.50
CZH03612C	TMLX080C16MP11	21.0	UC60D	2	1175	35.0	24.4	18.00	13.50
CZH03612C	TMLX100C16MP11	21.0	FC/MC/PC35C	1	765	29.0	19.0	17.50	23.00
CZH03612C	TMLX100C16MP11	21.0	FC/MC/PC35C	2	1125	34.2	23.2	17.50	13.25
CZH03612C	TMLX100C16MP11	21.0	FC/MC/PC43C	1	775	29.4	19.2	18.00	23.50
CZH03612C	TMLX100C16MP11	21.0	FC/MC/PC43C	2	1150	34.4	23.6	18.00	13.25
CZH03612C	TMLX100C16MP11	21.0	FC/MC/PC48C	1	775	29.8	19.5	18.25	24.00
CZH03612C	TMLX100C16MP11	21.0	FC/MC/PC48C	2	1150	35.2	24.4	18.25	13.50
CZH03612C	TMLX100C16MP11	21.0	FC/MC/PC48D	1	805	29.8	19.5	18.00	23.75
CZH03612C	TMLX100C16MP11	21.0	FC/MC/PC48D	2	1175	35.2	24.4	18.00	13.50
CZH03612C	TMLX100C16MP11	21.0	FC/MC/PC60D	1	800	29.8	19.7	18.25	24.00
CZH03612C	TMLX100C16MP11	21.0	FC/MC/PC60D	2	1175	35.2	24.4	18.25	13.50
CZH03612C	TMLX100C16MP11	21.0	FC/MC62D	1	785	29.6	19.6	18.25	23.75
CZH03612C	TMLX100C16MP11	21.0	FC/MC62D	2	1175	35.6	24.8	18.25	13.75

For Notes See Page 27.

COOLING CAPACITY - With High Efficiency Motor Furnaces (Continued)

UNIT MODEL	FURNACE		COIL MODEL ¹	COOLING					
	MODEL	WIDTH		STAGE	RATED CFM	NET MBH		SEER	EER
						TOTAL	SENS.		
18 SEER AC WITH HIGH EFFICIENCY MOTOR FURNACES²									
CZH03612C	TMLX100C16MP11	21.0	FC/PC60C	1	790	29.6	19.5	18.00	23.75
CZH03612C	TMLX100C16MP11	21.0	FC/PC60C	2	1175	35.2	24.4	18.00	13.50
CZH03612C	TMLX100C16MP11	21.0	FC64D	1	795	30.4	20.1	18.75	24.75
CZH03612C	TMLX100C16MP11	21.0	FC64D	2	1175	36.5	25.6	18.75	14.00
CZH03612C	TMLX100C16MP11	21.0	HD48	1	650	28.4	17.8	17.50	22.75
CZH03612C	TMLX100C16MP11	21.0	HD48	2	1120	35.4	24.0	17.50	14.00
CZH03612C	TMLX100C16MP11	21.0	UC48C	1	775	28.6	18.6	17.25	22.50
CZH03612C	TMLX100C16MP11	21.0	UC48C	2	1150	34.0	23.2	17.25	13.25
CZH03612C	TMLX100C16MP11	21.0	UC48D	1	805	28.6	18.6	17.25	22.50
CZH03612C	TMLX100C16MP11	21.0	UC48D	2	1175	34.0	23.2	17.25	13.25
CZH03612C	TMLX100C16MP11	21.0	UC60C	1	790	29.4	19.4	18.00	23.50
CZH03612C	TMLX100C16MP11	21.0	UC60C	2	1175	35.0	24.4	18.00	13.50
CZH03612C	TMLX100C16MP11	21.0	UC60D	1	800	29.4	19.4	18.00	23.50
CZH03612C	TMLX100C16MP11	21.0	UC60D	2	1175	35.0	24.4	18.00	13.50
CZH03612C	TMLX100C20MP11	21.0	HD48	1	820	30.0	19.7	18.00	23.75
CZH03612C	TMLX100C20MP11	21.0	HD48	2	1245	36.0	25.0	18.00	14.00
CZH03612C	TMLX120C20MP11	21.0	HD48	1	820	30.0	19.7	18.00	23.75
CZH03612C	TMLX120C20MP11	21.0	HD48	2	1245	36.0	25.0	18.00	14.00
CZH03612C	TM9E060B12MP11	17.5	FC/MC/PC35B	1	730	28.6	18.5	17.00	22.25
CZH03612C	TM9E060B12MP11	17.5	FC/MC/PC35B	2	1125	33.8	23.0	17.00	12.50
CZH03612C	TM9E060B12MP11	17.5	FC/MC/PC43B	1	730	29.0	18.7	17.25	22.75
CZH03612C	TM9E060B12MP11	17.5	FC/MC/PC43B	2	1125	34.2	23.4	17.25	12.75
CZH03612C	TM9E060B12MP11	17.5	HD48	1	760	29.4	18.9	17.75	23.25
CZH03612C	TM9E060B12MP11	17.5	HD48	2	1290	35.8	25.4	17.75	13.50
CZH03612C	TM9E080B12MP11	17.5	FC/MC/PC35B	1	730	28.6	18.5	17.00	22.25
CZH03612C	TM9E080B12MP11	17.5	FC/MC/PC35B	2	1125	33.8	23.0	17.00	12.50
CZH03612C	TM9E080B12MP11	17.5	FC/MC/PC43B	1	730	29.0	18.7	17.25	22.75
CZH03612C	TM9E080B12MP11	17.5	FC/MC/PC43B	2	1125	34.2	23.4	17.25	12.75
CZH03612C	TM9E080B12MP11	17.5	HD48	1	760	29.4	18.9	17.75	23.25
CZH03612C	TM9E080B12MP11	17.5	HD48	2	1290	35.8	25.4	17.75	13.50
CZH03612C	TM9E080C16MP11	21.0	FC/MC/PC48D	1	775	29.6	19.5	18.00	23.50
CZH03612C	TM9E080C16MP11	21.0	FC/MC/PC48D	2	1175	35.0	24.4	18.00	13.25
CZH03612C	TM9E080C16MP11	21.0	FC/MC62D	1	765	29.2	19.1	18.00	23.25
CZH03612C	TM9E080C16MP11	21.0	FC/MC62D	2	1175	35.4	24.6	18.00	13.50
CZH03612C	TM9E080C16MP11	21.0	FC64D	1	775	30.4	20.1	18.50	24.50
CZH03612C	TM9E080C16MP11	21.0	FC64D	2	1175	36.5	25.4	18.50	13.75
CZH03612C	TM9E080C16MP11	21.0	HD48	1	675	28.6	18.0	17.50	23.00
CZH03612C	TM9E080C16MP11	21.0	HD48	2	1320	36.0	25.8	17.50	13.75
CZH03612C	TM9E080C16MP11	21.0	UC48D	1	775	28.6	18.6	17.00	22.25
CZH03612C	TM9E080C16MP11	21.0	UC48D	2	1175	33.8	23.0	17.00	13.00
CZH03612C	TM9E100C16MP11	21.0	FC/MC/PC48D	1	775	29.6	19.5	18.00	23.50
CZH03612C	TM9E100C16MP11	21.0	FC/MC/PC48D	2	1175	35.0	24.4	18.00	13.25
CZH03612C	TM9E100C16MP11	21.0	FC/MC62D	1	765	29.2	19.1	18.00	23.25
CZH03612C	TM9E100C16MP11	21.0	FC/MC62D	2	1175	35.4	24.6	18.00	13.50
CZH03612C	TM9E100C16MP11	21.0	FC64D	1	775	30.4	20.1	18.50	24.50
CZH03612C	TM9E100C16MP11	21.0	FC64D	2	1175	36.5	25.4	18.50	13.75
CZH03612C	TM9E100C16MP11	21.0	HD48	1	675	28.6	18.0	17.50	23.00
CZH03612C	TM9E100C16MP11	21.0	HD48	2	1320	36.0	25.8	17.50	13.75
CZH03612C	TM9E100C16MP11	21.0	UC48D	1	775	28.6	18.6	17.00	22.25
CZH03612C	TM9E100C16MP11	21.0	UC48D	2	1175	33.8	23.0	17.00	13.00
CZH03612C	TM9E100C20MP11	21.0	HD48	1	810	29.8	19.5	18.00	23.50
CZH03612C	TM9E100C20MP11	21.0	HD48	2	1245	36.0	25.0	18.00	14.00

For Notes See Page 27.

COOLING CAPACITY - With High Efficiency Motor Furnaces (Continued)

UNIT MODEL	FURNACE		COIL MODEL ¹	COOLING					
	MODEL	WIDTH		STAGE	RATED CFM	NET MBH		SEER	EER
						TOTAL	SENS.		
18 SEER AC WITH HIGH EFFICIENCY MOTOR FURNACES²									
CZH03612C	TM9E120D20MP11	24.5	HD48	1	830	29.8	19.8	18.25	23.75
CZH03612C	TM9E120D20MP11	24.5	HD48	2	1260	36.0	25.2	18.25	14.00
CZH03612C	TM9X060B12MP11	17.5	FC/MC/PC35B	1	730	28.6	18.5	17.00	22.25
CZH03612C	TM9X060B12MP11	17.5	FC/MC/PC35B	2	1125	33.8	23.0	17.00	12.50
CZH03612C	TM9X060B12MP11	17.5	FC/MC/PC43B	1	730	29.0	18.7	17.25	22.75
CZH03612C	TM9X060B12MP11	17.5	FC/MC/PC43B	2	1125	34.2	23.4	17.25	12.75
CZH03612C	TM9X060B12MP11	17.5	HD48	1	760	29.4	18.9	17.75	23.25
CZH03612C	TM9X060B12MP11	17.5	HD48	2	1290	35.8	25.4	17.75	13.50
CZH03612C	TM9X080B12MP11	17.5	FC/MC/PC35B	1	730	28.6	18.5	17.00	22.25
CZH03612C	TM9X080B12MP11	17.5	FC/MC/PC35B	2	1125	33.8	23.0	17.00	12.50
CZH03612C	TM9X080B12MP11	17.5	FC/MC/PC43B	1	730	29.0	18.7	17.25	22.75
CZH03612C	TM9X080B12MP11	17.5	FC/MC/PC43B	2	1125	34.2	23.4	17.25	12.75
CZH03612C	TM9X080B12MP11	17.5	HD48	1	760	29.4	18.9	17.75	23.25
CZH03612C	TM9X080B12MP11	17.5	HD48	2	1290	35.8	25.4	17.75	13.50
CZH03612C	TM9X080C16MP11	21.0	FC/MC/PC48D	1	775	29.6	19.5	18.00	23.50
CZH03612C	TM9X080C16MP11	21.0	FC/MC/PC48D	2	1175	35.0	24.4	18.00	13.25
CZH03612C	TM9X080C16MP11	21.0	FC/MC62D	1	765	29.2	19.1	18.00	23.25
CZH03612C	TM9X080C16MP11	21.0	FC/MC62D	2	1175	35.4	24.6	18.00	13.50
CZH03612C	TM9X080C16MP11	21.0	FC64D	1	775	30.4	20.1	18.50	24.50
CZH03612C	TM9X080C16MP11	21.0	FC64D	2	1175	36.5	25.4	18.50	13.75
CZH03612C	TM9X080C16MP11	21.0	HD48	1	675	28.6	18.0	17.50	23.00
CZH03612C	TM9X080C16MP11	21.0	HD48	2	1320	36.0	25.8	17.50	13.75
CZH03612C	TM9X080C16MP11	21.0	UC48D	1	775	28.6	18.6	17.00	22.25
CZH03612C	TM9X080C16MP11	21.0	UC48D	2	1175	33.8	23.0	17.00	13.00
CZH03612C	TM9X100C16MP11	21.0	FC/MC/PC48D	1	775	29.6	19.5	18.00	23.50
CZH03612C	TM9X100C16MP11	21.0	FC/MC/PC48D	2	1175	35.0	24.4	18.00	13.25
CZH03612C	TM9X100C16MP11	21.0	FC/MC62D	1	765	29.2	19.1	18.00	23.25
CZH03612C	TM9X100C16MP11	21.0	FC/MC62D	2	1175	35.4	24.6	18.00	13.50
CZH03612C	TM9X100C16MP11	21.0	FC64D	1	775	30.4	20.1	18.50	24.50
CZH03612C	TM9X100C16MP11	21.0	FC64D	2	1175	36.5	25.4	18.50	13.75
CZH03612C	TM9X100C16MP11	21.0	HD48	1	675	28.6	18.0	17.50	23.00
CZH03612C	TM9X100C16MP11	21.0	HD48	2	1320	36.0	25.8	17.50	13.75
CZH03612C	TM9X100C16MP11	21.0	UC48D	1	775	28.6	18.6	17.00	22.25
CZH03612C	TM9X100C16MP11	21.0	UC48D	2	1175	33.8	23.0	17.00	13.00
CZH03612C	TM9X100C20MP11	21.0	HD48	1	810	29.8	19.5	18.00	23.50
CZH03612C	TM9X100C20MP11	21.0	HD48	2	1245	36.0	25.0	18.00	14.00
CZH03612C	TM9X120D20MP11	24.5	HD48	1	830	29.8	19.8	18.25	23.75
CZH03612C	TM9X120D20MP11	24.5	HD48	2	1260	36.0	25.2	18.25	14.00
CZH03612C	Y*LC*A12	14.5	FC/MC/PC37A	1	730	28.8	18.5	16.75	21.50
CZH03612C	Y*LC*A12	14.5	FC/MC/PC37A	2	1150	34.4	23.6	16.75	12.75
CZH03612C	Y*LC*B12	17.5	FC/MC/PC35B	1	775	28.8	18.7	16.75	21.75
CZH03612C	Y*LC*B12	17.5	FC/MC/PC35B	2	1150	34.2	23.6	16.75	12.75
CZH03612C	Y*LC*B12	17.5	FC/MC/PC43B	1	860	29.8	20.1	17.00	22.00
CZH03612C	Y*LC*B12	17.5	FC/MC/PC43B	2	1275	35.0	24.8	17.00	12.50
CZH03612C	Y*LC*B12	17.5	HD48	1	750	29.2	18.8	17.50	22.75
CZH03612C	Y*LC*B12	17.5	HD48	2	1210	35.4	24.4	17.50	13.25
CZH03612C	Y*LC*C16	21.0	FC/MC/PC35C	1	770	29.0	18.8	17.00	22.00
CZH03612C	Y*LC*C16	21.0	FC/MC/PC35C	2	1210	34.4	23.8	17.00	13.00
CZH03612C	Y*LC*C16	21.0	FC/MC/PC43C	1	770	29.2	19.1	17.25	22.50
CZH03612C	Y*LC*C16	21.0	FC/MC/PC43C	2	1190	35.0	24.4	17.25	13.50
CZH03612C	Y*LC*C16	21.0	FC/MC/PC48C	1	725	29.2	18.7	17.25	22.50
CZH03612C	Y*LC*C16	21.0	FC/MC/PC48C	2	1195	35.4	24.6	17.25	13.75

For Notes See Page 27.

COOLING CAPACITY - With High Efficiency Motor Furnaces (Continued)

UNIT MODEL	FURNACE		COIL MODEL ¹	COOLING					
	MODEL	WIDTH		STAGE	RATED CFM	NET MBH		SEER	EER
						TOTAL	SENS.		
18 SEER AC WITH HIGH EFFICIENCY MOTOR FURNACES²									
CZH03612C	Y*LC*C16	21.0	FC/PC60C	1	710	29.2	18.8	17.25	22.50
CZH03612C	Y*LC*C16	21.0	FC/PC60C	2	1185	35.0	24.0	17.25	13.75
CZH03612C	Y*LC*C16	21.0	HD48	1	810	29.8	19.5	18.00	23.25
CZH03612C	Y*LC*C16	21.0	HD48	2	1210	35.8	24.6	18.00	13.75
CZH03612C	Y*LC*C16	21.0	UC48C	1	810	28.8	19.1	17.00	22.25
CZH03612C	Y*LC*C16	21.0	UC48C	2	1210	34.8	24.0	17.00	13.50
CZH03612C	Y*LC*C16	21.0	UC60C	1	810	29.4	19.3	17.50	23.00
CZH03612C	Y*LC*C16	21.0	UC60C	2	1195	35.0	24.4	17.50	13.50
CZH03612C	Y*LC*C20	21.0	FC/MC/PC35C	1	1020	30.2	21.3	17.25	22.50
CZH03612C	Y*LC*C20	21.0	FC/MC/PC35C	2	1165	34.2	23.6	17.25	13.00
CZH03612C	Y*LC*C20	21.0	FC/MC/PC43C	1	740	29.0	18.8	17.25	22.50
CZH03612C	Y*LC*C20	21.0	FC/MC/PC43C	2	1190	35.0	24.4	17.25	13.50
CZH03612C	Y*LC*C20	21.0	FC/MC/PC48C	1	715	29.0	18.6	17.50	22.75
CZH03612C	Y*LC*C20	21.0	FC/MC/PC48C	2	1150	35.2	24.2	17.50	13.75
CZH03612C	Y*LC*C20	21.0	FC/PC60C	1	800	29.6	19.5	17.75	23.25
CZH03612C	Y*LC*C20	21.0	FC/PC60C	2	1215	35.4	24.8	17.75	13.75
CZH03612C	Y*LC*C20	21.0	HD48	1	720	29.0	18.5	17.75	23.00
CZH03612C	Y*LC*C20	21.0	HD48	2	1155	35.4	24.2	17.75	13.75
CZH03612C	Y*LC*C20	21.0	UC48C	1	720	28.0	18.2	16.75	21.75
CZH03612C	Y*LC*C20	21.0	UC48C	2	1155	34.0	23.2	16.75	13.25
CZH03612C	Y*LC*C20	21.0	UC60C	1	800	29.4	19.3	17.50	23.00
CZH03612C	Y*LC*C20	21.0	UC60C	2	1215	35.0	24.4	17.50	13.50
CZH03612C	Y*9C*B12	17.5	FC/MC/PC35B	1	810	28.8	18.7	16.50	21.50
CZH03612C	Y*9C*B12	17.5	FC/MC/PC35B	2	1190	34.2	23.6	16.50	12.50
CZH03612C	Y*9C*B12	17.5	FC/MC/PC43B	1	815	29.6	19.7	17.00	22.25
CZH03612C	Y*9C*B12	17.5	FC/MC/PC43B	2	1200	34.6	24.2	17.00	12.75
CZH03612C	Y*9C*B12	17.5	HD48	1	710	28.8	18.3	17.25	22.25
CZH03612C	Y*9C*B12	17.5	HD48	2	1150	35.0	23.6	17.25	13.00
CZH03612C	Y*9C*C16	21.0	FC/MC/PC35C	1	790	29.0	18.8	17.00	22.25
CZH03612C	Y*9C*C16	21.0	FC/MC/PC35C	2	1215	34.4	23.6	17.00	13.00
CZH03612C	Y*9C*C16	21.0	FC/MC/PC43C	1	815	29.6	19.7	17.25	22.50
CZH03612C	Y*9C*C16	21.0	FC/MC/PC43C	2	1240	35.0	24.8	17.25	13.00
CZH03612C	Y*9C*C16	21.0	FC/MC/PC48C	1	780	29.6	19.5	17.50	23.00
CZH03612C	Y*9C*C16	21.0	FC/MC/PC48C	2	1195	35.0	24.4	17.50	13.25
CZH03612C	Y*9C*C16	21.0	FC/PC60C	1	810	29.6	19.6	17.50	22.75
CZH03612C	Y*9C*C16	21.0	FC/PC60C	2	1235	35.2	24.8	17.50	13.25
CZH03612C	Y*9C*C16	21.0	HD48	1	780	29.4	19.1	17.75	23.00
CZH03612C	Y*9C*C16	21.0	HD48	2	1195	35.2	24.4	17.75	13.25
CZH03612C	Y*9C*C16	21.0	UC48C	1	780	28.4	18.5	16.75	21.75
CZH03612C	Y*9C*C16	21.0	UC48C	2	1195	33.8	23.0	16.75	13.00
CZH03612C	Y*9C*C16	21.0	UC60C	1	810	29.4	19.5	17.25	22.50
CZH03612C	Y*9C*C16	21.0	UC60C	2	1235	35.2	24.6	17.25	13.25
CZH03612C	Y*9C*C20	21.0	FC/MC/PC35C	1	760	28.8	18.8	17.00	22.00
CZH03612C	Y*9C*C20	21.0	FC/MC/PC35C	2	1330	34.8	24.8	17.00	12.75
CZH03612C	Y*9C*C20	21.0	FC/MC/PC43C	1	780	29.4	19.3	17.50	22.75
CZH03612C	Y*9C*C20	21.0	FC/MC/PC43C	2	1200	35.0	24.4	17.50	13.25
CZH03612C	Y*9C*C20	21.0	FC/MC/PC48C	1	745	29.2	18.9	17.50	22.75
CZH03612C	Y*9C*C20	21.0	FC/MC/PC48C	2	1330	35.8	25.8	17.50	13.25
CZH03612C	Y*9C*C20	21.0	FC/PC60C	1	770	29.4	19.2	17.50	23.00
CZH03612C	Y*9C*C20	21.0	FC/PC60C	2	1330	35.6	25.6	17.50	13.25
CZH03612C	Y*9C*C20	21.0	HD48	1	745	29.2	18.8	17.50	22.75
CZH03612C	Y*9C*C20	21.0	HD48	2	1330	36.0	25.4	17.50	13.25

For Notes See Page 27.

COOLING CAPACITY - With High Efficiency Motor Furnaces (Continued)

UNIT MODEL	FURNACE		COIL MODEL ¹	COOLING					
	MODEL	WIDTH		STAGE	RATED CFM	NET MBH		SEER	EER
						TOTAL	SENS.		
18 SEER AC WITH HIGH EFFICIENCY MOTOR FURNACES²									
CZH03612C	Y*9C*C20	21.0	UC48C	1	755	28.4	18.4	16.50	21.75
CZH03612C	Y*9C*C20	21.0	UC48C	2	1330	34.4	24.9	16.50	12.75
CZH03612C	Y*9C*C20	21.0	UC60C	1	770	29.2	19.1	17.50	22.75
CZH03612C	Y*9C*C20	21.0	UC60C	2	1330	35.6	25.6	17.50	13.25
CZH03612C	Y*9C*D20	24.5	FC/MC/PC48D	1	830	30.0	19.9	17.75	23.25
CZH03612C	Y*9C*D20	24.5	FC/MC/PC48D	2	1240	35.6	25.2	17.75	13.50
CZH03612C	Y*9C*D20	24.5	FC/MC/PC60D	1	830	29.8	19.9	17.75	23.25
CZH03612C	Y*9C*D20	24.5	FC/MC/PC60D	2	1225	35.4	24.8	17.75	13.50
CZH03612C	Y*9C*D20	24.5	FC/MC62D	1	835	30.0	20.1	18.00	23.25
CZH03612C	Y*9C*D20	24.5	FC/MC62D	2	1235	35.8	25.4	18.00	13.75
CZH03612C	Y*9C*D20	24.5	FC64D	1	835	30.6	20.7	18.50	24.25
CZH03612C	Y*9C*D20	24.5	FC64D	2	1235	37.0	26.4	18.50	14.00
CZH03612C	Y*9C*D20	24.5	HD48	1	830	29.8	19.7	17.75	23.25
CZH03612C	Y*9C*D20	24.5	HD48	2	1225	35.8	24.6	17.75	13.75
CZH03612C	Y*9C*D20	24.5	UC48D	1	830	29.0	19.4	17.00	22.25
CZH03612C	Y*9C*D20	24.5	UC48D	2	1240	34.4	24.0	17.00	13.25
CZH03612C	Y*9C*D20	24.5	UC60D	1	830	29.6	19.7	17.50	23.00
CZH03612C	Y*9C*D20	24.5	UC60D	2	1225	35.2	24.8	17.50	13.50
CZH04812C	T*(8,L)V*C16	21.0	FC/MC/PC48C	1	1120	40.0	26.0	16.00	21.75
CZH04812C	T*(8,L)V*C16	21.0	FC/MC/PC48C	2	1565	45.0	30.4	16.00	11.75
CZH04812C	T*(8,L)V*C16	21.0	FC/MC/PC48D	1	1120	40.0	26.0	16.00	21.75
CZH04812C	T*(8,L)V*C16	21.0	FC/MC/PC48D	2	1565	45.0	30.4	16.00	11.75
CZH04812C	T*(8,L)V*C16	21.0	FC/MC/PC60D	1	1025	39.0	25.0	15.75	21.50
CZH04812C	T*(8,L)V*C16	21.0	FC/MC/PC60D	2	1600	45.0	31.0	15.75	12.00
CZH04812C	T*(8,L)V*C16	21.0	FC/MC62D	1	1025	39.0	25.2	16.00	21.75
CZH04812C	T*(8,L)V*C16	21.0	FC/MC62D	2	1635	46.0	31.8	16.00	12.25
CZH04812C	T*(8,L)V*C16	21.0	FC/PC60C	1	1025	39.0	25.0	15.75	21.50
CZH04812C	T*(8,L)V*C16	21.0	FC/PC60C	2	1600	45.0	31.0	15.75	12.00
CZH04812C	T*(8,L)V*C16	21.0	FC64D	1	1025	40.5	26.8	16.75	23.00
CZH04812C	T*(8,L)V*C16	21.0	FC64D	2	1635	47.0	33.1	16.75	12.75
CZH04812C	T*(8,L)V*C16	21.0	HD60	1	1035	39.5	25.6	16.25	22.00
CZH04812C	T*(8,L)V*C16	21.0	HD60	2	1625	46.0	31.6	16.25	12.50
CZH04812C	T*(8,L)V*C16	21.0	UC48C	1	1035	37.8	24.4	15.00	20.75
CZH04812C	T*(8,L)V*C16	21.0	UC48C	2	1615	45.0	30.5	15.00	11.75
CZH04812C	T*(8,L)V*C16	21.0	UC60C	1	1035	39.0	24.8	15.75	21.50
CZH04812C	T*(8,L)V*C16	21.0	UC60C	2	1625	45.0	30.8	15.75	12.00
CZH04812C	T*(8,L)V*C20	21.0	FC/MC/PC48C	1	1080	39.0	25.2	16.00	21.75
CZH04812C	T*(8,L)V*C20	21.0	FC/MC/PC48C	2	1640	45.5	31.4	16.00	12.25
CZH04812C	T*(8,L)V*C20	21.0	FC/MC/PC48D	1	1080	39.0	25.2	16.00	21.75
CZH04812C	T*(8,L)V*C20	21.0	FC/MC/PC48D	2	1640	45.5	31.4	16.00	12.25
CZH04812C	T*(8,L)V*C20	21.0	FC/MC/PC60D	1	1060	39.0	25.0	15.75	21.50
CZH04812C	T*(8,L)V*C20	21.0	FC/MC/PC60D	2	1625	45.0	31.0	15.75	12.25
CZH04812C	T*(8,L)V*C20	21.0	FC/MC62D	1	1060	39.5	25.6	16.00	22.00
CZH04812C	T*(8,L)V*C20	21.0	FC/MC62D	2	1620	46.0	31.8	16.00	12.50
CZH04812C	T*(8,L)V*C20	21.0	FC/PC60C	1	1060	39.0	25.0	15.75	21.50
CZH04812C	T*(8,L)V*C20	21.0	FC/PC60C	2	1625	45.0	31.0	15.75	12.25
CZH04812C	T*(8,L)V*C20	21.0	FC64D	1	1060	40.5	26.8	16.75	23.00
CZH04812C	T*(8,L)V*C20	21.0	FC64D	2	1630	47.5	33.2	16.75	12.75
CZH04812C	T*(8,L)V*C20	21.0	HD60	1	1015	39.5	25.4	16.25	22.25
CZH04812C	T*(8,L)V*C20	21.0	HD60	2	1605	46.5	31.6	16.25	12.50
CZH04812C	T*(8,L)V*C20	21.0	UC48C	1	1080	38.5	24.8	15.00	20.75
CZH04812C	T*(8,L)V*C20	21.0	UC48C	2	1640	45.0	30.3	15.00	12.00

For Notes See Page 27.

COOLING CAPACITY - With High Efficiency Motor Furnaces (Continued)

UNIT MODEL	FURNACE		COIL MODEL ¹	COOLING					
	MODEL	WIDTH		STAGE	RATED CFM	NET MBH		SEER	EER
						TOTAL	SENS.		
18 SEER AC WITH HIGH EFFICIENCY MOTOR FURNACES²									
CZH04812C	T*(8,L)V*C20	21.0	UC60C	1	1015	38.5	24.8	16.00	21.75
CZH04812C	T*(8,L)V*C20	21.0	UC60C	2	1605	45.5	31.0	16.00	12.50
CZH04812C	T*9V*C16	21.0	FC/MC/PC48C	1	1050	39.0	25.2	15.75	21.50
CZH04812C	T*9V*C16	21.0	FC/MC/PC48C	2	1590	45.5	31.2	15.75	12.00
CZH04812C	T*9V*C16	21.0	FC/MC/PC48D	1	1050	39.0	25.2	15.75	21.50
CZH04812C	T*9V*C16	21.0	FC/MC/PC48D	2	1590	45.5	31.2	15.75	12.00
CZH04812C	T*9V*C16	21.0	FC/MC/PC60D	1	1050	39.0	25.0	15.75	21.25
CZH04812C	T*9V*C16	21.0	FC/MC/PC60D	2	1590	45.0	31.0	15.75	12.00
CZH04812C	T*9V*C16	21.0	FC/MC62D	1	1040	39.0	25.2	16.00	21.50
CZH04812C	T*9V*C16	21.0	FC/MC62D	2	1590	46.0	31.4	16.00	12.25
CZH04812C	T*9V*C16	21.0	FC/PC60C	1	1050	39.0	25.0	15.75	21.25
CZH04812C	T*9V*C16	21.0	FC/PC60C	2	1590	45.0	31.0	15.75	12.00
CZH04812C	T*9V*C16	21.0	FC64D	1	1040	40.5	26.8	16.50	22.75
CZH04812C	T*9V*C16	21.0	FC64D	2	1590	47.0	33.1	16.50	12.50
CZH04812C	T*9V*C16	21.0	HD60	1	1050	39.5	25.6	16.00	21.75
CZH04812C	T*9V*C16	21.0	HD60	2	1590	46.0	31.2	16.00	12.25
CZH04812C	T*9V*C16	21.0	UC60C	1	1050	38.5	24.6	15.50	21.00
CZH04812C	T*9V*C16	21.0	UC60C	2	1590	45.0	30.1	15.50	11.75
CZH04812C	T*9V*C20	21.0	FC/MC/PC48C	1	1055	39.0	25.2	15.75	21.50
CZH04812C	T*9V*C20	21.0	FC/MC/PC48C	2	1655	45.5	31.2	15.75	12.00
CZH04812C	T*9V*C20	21.0	FC/MC/PC48D	1	1055	39.0	25.2	15.75	21.50
CZH04812C	T*9V*C20	21.0	FC/MC/PC48D	2	1655	45.5	31.2	15.75	12.00
CZH04812C	T*9V*C20	21.0	FC/MC/PC60D	1	1055	39.0	25.0	15.75	21.50
CZH04812C	T*9V*C20	21.0	FC/MC/PC60D	2	1655	45.0	31.0	15.75	12.00
CZH04812C	T*9V*C20	21.0	FC/MC62D	1	1040	39.0	25.2	16.00	21.75
CZH04812C	T*9V*C20	21.0	FC/MC62D	2	1655	46.0	31.8	16.00	12.00
CZH04812C	T*9V*C20	21.0	FC/PC60C	1	1055	39.0	25.0	15.75	21.50
CZH04812C	T*9V*C20	21.0	FC/PC60C	2	1655	45.0	31.0	15.75	12.00
CZH04812C	T*9V*C20	21.0	FC64D	1	1040	40.5	26.8	16.75	22.75
CZH04812C	T*9V*C20	21.0	FC64D	2	1655	47.0	32.9	16.75	12.25
CZH04812C	T*9V*C20	21.0	HD60	1	1055	39.5	25.6	16.25	22.00
CZH04812C	T*9V*C20	21.0	HD60	2	1655	46.0	31.8	16.25	12.25
CZH04812C	T*9V*C20	21.0	UC48C	1	1055	37.8	24.4	15.00	20.50
CZH04812C	T*9V*C20	21.0	UC48C	2	1655	45.0	30.7	15.00	11.75
CZH04812C	T*9V*C20	21.0	UC60C	1	1055	38.5	25.0	15.75	21.25
CZH04812C	T*9V*C20	21.0	UC60C	2	1655	45.0	31.0	15.75	12.00
CZH04812C	T*9V*D20	24.5	FC/MC/PC48D	1	1060	39.0	25.2	15.75	21.50
CZH04812C	T*9V*D20	24.5	FC/MC/PC48D	2	1645	45.5	31.2	15.75	12.00
CZH04812C	T*9V*D20	24.5	FC/MC/PC60D	1	1070	39.0	25.0	15.75	21.50
CZH04812C	T*9V*D20	24.5	FC/MC/PC60D	2	1615	45.0	31.0	15.75	12.00
CZH04812C	T*9V*D20	24.5	FC/MC62D	1	1085	39.5	25.6	16.00	21.75
CZH04812C	T*9V*D20	24.5	FC/MC62D	2	1630	46.0	31.6	16.00	12.25
CZH04812C	T*9V*D20	24.5	FC64D	1	1085	40.5	26.8	16.50	22.50
CZH04812C	T*9V*D20	24.5	FC64D	2	1630	47.0	32.9	16.50	12.50
CZH04812C	T*9V*D20	24.5	HD60	1	1070	40.0	26.4	16.25	22.25
CZH04812C	T*9V*D20	24.5	HD60	2	1615	46.0	31.4	16.25	12.25
CZH04812C	T*9V*D20	24.5	UC48D	1	1060	37.8	24.4	15.00	20.50
CZH04812C	T*9V*D20	24.5	UC48D	2	1645	45.0	30.7	15.00	11.75
CZH04812C	T*9V*D20	24.5	UC60D	1	1070	39.0	25.2	15.75	21.25
CZH04812C	T*9V*D20	24.5	UC60D	2	1615	45.0	30.6	15.75	12.00
CZH04812C	TM8X080C16MP11	21.0	FC/MC/PC48C	1	1030	39.5	25.2	16.25	22.25
CZH04812C	TM8X080C16MP11	21.0	FC/MC/PC48C	2	1525	45.0	30.2	16.25	12.00

For Notes See Page 27.

COOLING CAPACITY - With High Efficiency Motor Furnaces (Continued)

UNIT MODEL	FURNACE		COIL MODEL ¹	COOLING					
	MODEL	WIDTH		STAGE	RATED CFM	NET MBH		SEER	EER
						TOTAL	SENS.		
18 SEER AC WITH HIGH EFFICIENCY MOTOR FURNACES²									
CZH04812C	TM8X080C16MP11	21.0	FC/MC/PC48D	1	1045	39.5	25.2	16.25	22.25
CZH04812C	TM8X080C16MP11	21.0	FC/MC/PC48D	2	1550	45.5	31.4	16.25	12.25
CZH04812C	TM8X080C16MP11	21.0	FC/MC/PC60D	1	1045	39.0	25.0	16.25	22.25
CZH04812C	TM8X080C16MP11	21.0	FC/MC/PC60D	2	1550	45.0	31.0	16.25	12.25
CZH04812C	TM8X080C16MP11	21.0	FC/MC62D	1	1040	39.0	25.4	16.50	22.25
CZH04812C	TM8X080C16MP11	21.0	FC/MC62D	2	1550	45.5	31.0	16.50	12.25
CZH04812C	TM8X080C16MP11	21.0	FC/PC60C	1	1020	39.0	25.0	16.00	22.00
CZH04812C	TM8X080C16MP11	21.0	FC/PC60C	2	1525	45.0	30.1	16.00	12.00
CZH04812C	TM8X080C16MP11	21.0	FC64D	1	1045	41.0	26.8	17.00	23.50
CZH04812C	TM8X080C16MP11	21.0	FC64D	2	1550	47.0	33.1	17.00	12.50
CZH04812C	TM8X080C16MP11	21.0	HD60	1	1115	40.0	26.4	16.50	22.50
CZH04812C	TM8X080C16MP11	21.0	HD60	2	1610	46.5	31.6	16.50	12.50
CZH04812C	TM8X080C16MP11	21.0	UC48C	1	1030	37.8	24.4	15.50	21.25
CZH04812C	TM8X080C16MP11	21.0	UC48C	2	1525	45.0	30.0	15.50	11.75
CZH04812C	TM8X080C16MP11	21.0	UC48D	1	1045	37.8	24.4	15.50	21.25
CZH04812C	TM8X080C16MP11	21.0	UC48D	2	1550	45.0	30.0	15.50	11.75
CZH04812C	TM8X080C16MP11	21.0	UC60C	1	1020	38.5	24.8	16.00	21.75
CZH04812C	TM8X080C16MP11	21.0	UC60C	2	1525	45.0	30.1	16.00	12.00
CZH04812C	TM8X080C16MP11	21.0	UC60D	1	1045	38.5	24.8	16.00	21.75
CZH04812C	TM8X080C16MP11	21.0	UC60D	2	1550	45.0	30.1	16.00	12.00
CZH04812C	TM8X100C16MP11	21.0	FC/MC/PC48C	1	1030	39.5	25.2	16.25	22.25
CZH04812C	TM8X100C16MP11	21.0	FC/MC/PC48C	2	1525	45.0	30.2	16.25	12.00
CZH04812C	TM8X100C16MP11	21.0	FC/MC/PC48D	1	1045	39.5	25.2	16.25	22.25
CZH04812C	TM8X100C16MP11	21.0	FC/MC/PC48D	2	1550	45.5	31.4	16.25	12.25
CZH04812C	TM8X100C16MP11	21.0	FC/MC/PC60D	1	1045	39.0	25.0	16.25	22.25
CZH04812C	TM8X100C16MP11	21.0	FC/MC/PC60D	2	1550	45.0	31.0	16.25	12.25
CZH04812C	TM8X100C16MP11	21.0	FC/MC62D	1	1040	39.0	25.4	16.50	22.25
CZH04812C	TM8X100C16MP11	21.0	FC/MC62D	2	1550	45.5	31.0	16.50	12.25
CZH04812C	TM8X100C16MP11	21.0	FC/PC60C	1	1020	39.0	25.0	16.00	22.00
CZH04812C	TM8X100C16MP11	21.0	FC/PC60C	2	1525	45.0	30.1	16.00	12.00
CZH04812C	TM8X100C16MP11	21.0	FC64D	1	1045	41.0	26.8	17.00	23.50
CZH04812C	TM8X100C16MP11	21.0	FC64D	2	1550	47.0	33.1	17.00	12.50
CZH04812C	TM8X100C16MP11	21.0	HD60	1	1115	40.0	26.4	16.50	22.50
CZH04812C	TM8X100C16MP11	21.0	HD60	2	1610	46.5	31.6	16.50	12.50
CZH04812C	TM8X100C16MP11	21.0	UC48C	1	1030	37.8	24.4	15.50	21.25
CZH04812C	TM8X100C16MP11	21.0	UC48C	2	1525	45.0	30.0	15.50	11.75
CZH04812C	TM8X100C16MP11	21.0	UC48D	1	1045	37.8	24.4	15.50	21.25
CZH04812C	TM8X100C16MP11	21.0	UC48D	2	1550	45.0	30.0	15.50	11.75
CZH04812C	TM8X100C16MP11	21.0	UC60C	1	1020	38.5	24.8	16.00	21.75
CZH04812C	TM8X100C16MP11	21.0	UC60C	2	1525	45.0	30.1	16.00	12.00
CZH04812C	TM8X100C16MP11	21.0	UC60D	1	1045	38.5	24.8	16.00	21.75
CZH04812C	TM8X100C16MP11	21.0	UC60D	2	1550	45.0	30.1	16.00	12.00
CZH04812C	TM8X100C20MP11	21.0	FC/MC/PC48C	1	1090	39.5	25.8	16.25	22.25
CZH04812C	TM8X100C20MP11	21.0	FC/MC/PC48C	2	1550	45.0	30.6	16.25	12.25
CZH04812C	TM8X100C20MP11	21.0	FC/MC/PC48D	1	1105	40.0	26.0	16.25	22.50
CZH04812C	TM8X100C20MP11	21.0	FC/MC/PC48D	2	1575	45.5	30.8	16.25	12.25
CZH04812C	TM8X100C20MP11	21.0	FC/MC/PC60D	1	1105	39.5	25.8	16.25	22.25
CZH04812C	TM8X100C20MP11	21.0	FC/MC/PC60D	2	1575	45.0	30.6	16.25	12.25
CZH04812C	TM8X100C20MP11	21.0	FC/MC62D	1	1100	40.0	26.2	16.50	22.25
CZH04812C	TM8X100C20MP11	21.0	FC/MC62D	2	1575	46.0	31.2	16.50	12.50
CZH04812C	TM8X100C20MP11	21.0	FC/PC60C	1	1085	39.0	25.0	16.00	21.75
CZH04812C	TM8X100C20MP11	21.0	FC/PC60C	2	1550	45.5	31.0	16.00	12.25

For Notes See Page 27.

COOLING CAPACITY - With High Efficiency Motor Furnaces (Continued)

UNIT MODEL	FURNACE		COIL MODEL ¹	COOLING					
	MODEL	WIDTH		STAGE	RATED CFM	NET MBH		SEER	EER
						TOTAL	SENS.		
18 SEER AC WITH HIGH EFFICIENCY MOTOR FURNACES²									
CZH04812C	TM8X100C20MP11	21.0	HD60	1	835	37.6	23.4	16.00	21.75
CZH04812C	TM8X100C20MP11	21.0	HD60	2	1665	46.5	32.4	16.00	12.75
CZH04812C	TM8X100C20MP11	21.0	UC48C	1	1090	38.5	24.8	15.50	21.25
CZH04812C	TM8X100C20MP11	21.0	UC48C	2	1550	45.0	30.3	15.50	12.00
CZH04812C	TM8X100C20MP11	21.0	UC48D	1	1105	38.5	24.8	15.50	21.50
CZH04812C	TM8X100C20MP11	21.0	UC48D	2	1575	45.0	30.5	15.50	12.00
CZH04812C	TM8X100C20MP11	21.0	UC60C	1	1085	39.0	25.4	16.00	22.00
CZH04812C	TM8X100C20MP11	21.0	UC60C	2	1550	45.0	30.2	16.00	12.25
CZH04812C	TM8X100C20MP11	21.0	UC60D	1	1105	39.5	25.6	16.25	22.00
CZH04812C	TM8X100C20MP11	21.0	UC60D	2	1575	45.0	30.6	16.25	12.25
CZH04812C	TM8X120C20MP11	21.0	FC/MC/PC48C	1	1090	39.5	25.8	16.25	22.25
CZH04812C	TM8X120C20MP11	21.0	FC/MC/PC48C	2	1550	45.0	30.6	16.25	12.25
CZH04812C	TM8X120C20MP11	21.0	FC/MC/PC48D	1	1105	40.0	26.0	16.25	22.50
CZH04812C	TM8X120C20MP11	21.0	FC/MC/PC48D	2	1575	45.5	30.8	16.25	12.25
CZH04812C	TM8X120C20MP11	21.0	FC/MC/PC60D	1	1105	39.5	25.8	16.25	22.25
CZH04812C	TM8X120C20MP11	21.0	FC/MC/PC60D	2	1575	45.0	30.6	16.25	12.25
CZH04812C	TM8X120C20MP11	21.0	FC/MC62D	1	1100	40.0	26.2	16.50	22.25
CZH04812C	TM8X120C20MP11	21.0	FC/MC62D	2	1575	46.0	31.2	16.50	12.50
CZH04812C	TM8X120C20MP11	21.0	FC/PC60C	1	1085	39.0	25.0	16.00	21.75
CZH04812C	TM8X120C20MP11	21.0	FC/PC60C	2	1550	45.5	31.0	16.00	12.25
CZH04812C	TM8X120C20MP11	21.0	HD60	1	835	37.6	23.4	16.00	21.75
CZH04812C	TM8X120C20MP11	21.0	HD60	2	1665	46.5	32.4	16.00	12.75
CZH04812C	TM8X120C20MP11	21.0	UC48C	1	1090	38.5	24.8	15.50	21.25
CZH04812C	TM8X120C20MP11	21.0	UC48C	2	1550	45.0	30.3	15.50	12.00
CZH04812C	TM8X120C20MP11	21.0	UC48D	1	1105	38.5	24.8	15.50	21.50
CZH04812C	TM8X120C20MP11	21.0	UC48D	2	1575	45.0	30.5	15.50	12.00
CZH04812C	TM8X120C20MP11	21.0	UC60C	1	1085	39.0	25.4	16.00	22.00
CZH04812C	TM8X120C20MP11	21.0	UC60C	2	1550	45.0	30.2	16.00	12.25
CZH04812C	TM8X120C20MP11	21.0	UC60D	1	1105	39.5	25.6	16.25	22.00
CZH04812C	TM8X120C20MP11	21.0	UC60D	2	1575	45.0	30.6	16.25	12.25
CZH04812C	TMLX080C16MP11	21.0	FC/MC/PC48C	1	1030	39.5	25.2	16.25	22.25
CZH04812C	TMLX080C16MP11	21.0	FC/MC/PC48C	2	1525	45.0	30.2	16.25	12.00
CZH04812C	TMLX080C16MP11	21.0	FC/MC/PC48D	1	1045	39.5	25.2	16.25	22.25
CZH04812C	TMLX080C16MP11	21.0	FC/MC/PC48D	2	1550	45.5	31.4	16.25	12.25
CZH04812C	TMLX080C16MP11	21.0	FC/MC/PC60D	1	1045	39.0	25.0	16.25	22.25
CZH04812C	TMLX080C16MP11	21.0	FC/MC/PC60D	2	1550	45.0	31.0	16.25	12.25
CZH04812C	TMLX080C16MP11	21.0	FC/MC62D	1	1040	39.0	25.4	16.50	22.25
CZH04812C	TMLX080C16MP11	21.0	FC/MC62D	2	1550	45.5	31.0	16.50	12.25
CZH04812C	TMLX080C16MP11	21.0	FC/PC60C	1	1020	39.0	25.0	16.00	22.00
CZH04812C	TMLX080C16MP11	21.0	FC/PC60C	2	1525	45.0	30.1	16.00	12.00
CZH04812C	TMLX080C16MP11	21.0	FC64D	1	1045	41.0	26.8	17.00	23.50
CZH04812C	TMLX080C16MP11	21.0	FC64D	2	1550	47.0	33.1	17.00	12.50
CZH04812C	TMLX080C16MP11	21.0	HD60	1	1115	40.0	26.4	16.50	22.50
CZH04812C	TMLX080C16MP11	21.0	HD60	2	1610	46.5	31.6	16.50	12.50
CZH04812C	TMLX080C16MP11	21.0	UC48C	1	1030	37.8	24.4	15.50	21.25
CZH04812C	TMLX080C16MP11	21.0	UC48C	2	1525	45.0	30.0	15.50	11.75
CZH04812C	TMLX080C16MP11	21.0	UC48D	1	1045	37.8	24.4	15.50	21.25
CZH04812C	TMLX080C16MP11	21.0	UC48D	2	1550	45.0	30.0	15.50	11.75
CZH04812C	TMLX080C16MP11	21.0	UC60C	1	1020	38.5	24.8	16.00	21.75
CZH04812C	TMLX080C16MP11	21.0	UC60C	2	1525	45.0	30.1	16.00	12.00
CZH04812C	TMLX080C16MP11	21.0	UC60D	1	1045	38.5	24.8	16.00	21.75
CZH04812C	TMLX080C16MP11	21.0	UC60D	2	1550	45.0	30.1	16.00	12.00

For Notes See Page 27.

COOLING CAPACITY - With High Efficiency Motor Furnaces (Continued)

UNIT MODEL	FURNACE		COIL MODEL ¹	COOLING					
	MODEL	WIDTH		STAGE	RATED CFM	NET MBH		SEER	EER
						TOTAL	SENS.		
18 SEER AC WITH HIGH EFFICIENCY MOTOR FURNACES²									
CZH04812C	TMLX100C16MP11	21.0	FC/MC/PC48C	1	1030	39.5	25.2	16.25	22.25
CZH04812C	TMLX100C16MP11	21.0	FC/MC/PC48C	2	1525	45.0	30.2	16.25	12.00
CZH04812C	TMLX100C16MP11	21.0	FC/MC/PC48D	1	1045	39.5	25.2	16.25	22.25
CZH04812C	TMLX100C16MP11	21.0	FC/MC/PC48D	2	1550	45.5	31.4	16.25	12.25
CZH04812C	TMLX100C16MP11	21.0	FC/MC/PC60D	1	1045	39.0	25.0	16.25	22.25
CZH04812C	TMLX100C16MP11	21.0	FC/MC/PC60D	2	1550	45.0	31.0	16.25	12.25
CZH04812C	TMLX100C16MP11	21.0	FC/MC62D	1	1040	39.0	25.4	16.50	22.25
CZH04812C	TMLX100C16MP11	21.0	FC/MC62D	2	1550	45.5	31.0	16.50	12.25
CZH04812C	TMLX100C16MP11	21.0	FC/PC60C	1	1020	39.0	25.0	16.00	22.00
CZH04812C	TMLX100C16MP11	21.0	FC/PC60C	2	1525	45.0	30.1	16.00	12.00
CZH04812C	TMLX100C16MP11	21.0	FC64D	1	1045	41.0	26.8	17.00	23.50
CZH04812C	TMLX100C16MP11	21.0	FC64D	2	1550	47.0	33.1	17.00	12.50
CZH04812C	TMLX100C16MP11	21.0	HD60	1	1115	40.0	26.4	16.50	22.50
CZH04812C	TMLX100C16MP11	21.0	HD60	2	1610	46.5	31.6	16.50	12.50
CZH04812C	TMLX100C16MP11	21.0	UC48C	1	1030	37.8	24.4	15.50	21.25
CZH04812C	TMLX100C16MP11	21.0	UC48C	2	1525	45.0	30.0	15.50	11.75
CZH04812C	TMLX100C16MP11	21.0	UC48D	1	1045	37.8	24.4	15.50	21.25
CZH04812C	TMLX100C16MP11	21.0	UC48D	2	1550	45.0	30.0	15.50	11.75
CZH04812C	TMLX100C16MP11	21.0	UC60C	1	1020	38.5	24.8	16.00	21.75
CZH04812C	TMLX100C16MP11	21.0	UC60C	2	1525	45.0	30.1	16.00	12.00
CZH04812C	TMLX100C16MP11	21.0	UC60D	1	1045	38.5	24.8	16.00	21.75
CZH04812C	TMLX100C16MP11	21.0	UC60D	2	1550	45.0	30.1	16.00	12.00
CZH04812C	TMLX100C20MP11	21.0	FC/MC/PC48C	1	1090	39.5	25.8	16.25	22.25
CZH04812C	TMLX100C20MP11	21.0	FC/MC/PC48C	2	1550	45.0	30.6	16.25	12.25
CZH04812C	TMLX100C20MP11	21.0	FC/MC/PC48D	1	1105	40.0	26.0	16.25	22.50
CZH04812C	TMLX100C20MP11	21.0	FC/MC/PC48D	2	1575	45.5	30.8	16.25	12.25
CZH04812C	TMLX100C20MP11	21.0	FC/MC/PC60D	1	1105	39.5	25.8	16.25	22.25
CZH04812C	TMLX100C20MP11	21.0	FC/MC/PC60D	2	1575	45.0	30.6	16.25	12.25
CZH04812C	TMLX100C20MP11	21.0	FC/MC62D	1	1100	40.0	26.2	16.50	22.25
CZH04812C	TMLX100C20MP11	21.0	FC/MC62D	2	1575	46.0	31.2	16.50	12.50
CZH04812C	TMLX100C20MP11	21.0	FC/PC60C	1	1085	39.0	25.0	16.00	21.75
CZH04812C	TMLX100C20MP11	21.0	FC/PC60C	2	1550	45.5	31.0	16.00	12.25
CZH04812C	TMLX100C20MP11	21.0	HD60	1	835	37.6	23.4	16.00	21.75
CZH04812C	TMLX100C20MP11	21.0	HD60	2	1665	46.5	32.4	16.00	12.75
CZH04812C	TMLX100C20MP11	21.0	UC48C	1	1090	38.5	24.8	15.50	21.25
CZH04812C	TMLX100C20MP11	21.0	UC48C	2	1550	45.0	30.3	15.50	12.00
CZH04812C	TMLX100C20MP11	21.0	UC48D	1	1105	38.5	24.8	15.50	21.50
CZH04812C	TMLX100C20MP11	21.0	UC48D	2	1575	45.0	30.5	15.50	12.00
CZH04812C	TMLX100C20MP11	21.0	UC60C	1	1085	39.0	25.4	16.00	22.00
CZH04812C	TMLX100C20MP11	21.0	UC60C	2	1550	45.0	30.2	16.00	12.25
CZH04812C	TMLX100C20MP11	21.0	UC60D	1	1105	39.5	25.6	16.25	22.00
CZH04812C	TMLX100C20MP11	21.0	UC60D	2	1575	45.0	30.6	16.25	12.25
CZH04812C	TMLX120C20MP11	21.0	FC/MC/PC48C	1	1090	39.5	25.8	16.25	22.25
CZH04812C	TMLX120C20MP11	21.0	FC/MC/PC48C	2	1550	45.0	30.6	16.25	12.25
CZH04812C	TMLX120C20MP11	21.0	FC/MC/PC48D	1	1105	40.0	26.0	16.25	22.50
CZH04812C	TMLX120C20MP11	21.0	FC/MC/PC48D	2	1575	45.5	30.8	16.25	12.25
CZH04812C	TMLX120C20MP11	21.0	FC/MC/PC60D	1	1105	39.5	25.8	16.25	22.25
CZH04812C	TMLX120C20MP11	21.0	FC/MC/PC60D	2	1575	45.0	30.6	16.25	12.25
CZH04812C	TMLX120C20MP11	21.0	FC/MC62D	1	1100	40.0	26.2	16.50	22.25
CZH04812C	TMLX120C20MP11	21.0	FC/MC62D	2	1575	46.0	31.2	16.50	12.50
CZH04812C	TMLX120C20MP11	21.0	FC/PC60C	1	1085	39.0	25.0	16.00	21.75
CZH04812C	TMLX120C20MP11	21.0	FC/PC60C	2	1550	45.5	31.0	16.00	12.25

For Notes See Page 27.

COOLING CAPACITY - With High Efficiency Motor Furnaces (Continued)

UNIT MODEL	FURNACE		COIL MODEL ¹	COOLING					
	MODEL	WIDTH		STAGE	RATED CFM	NET MBH		SEER	EER
						TOTAL	SENS.		
18 SEER AC WITH HIGH EFFICIENCY MOTOR FURNACES²									
CZH04812C	TMLX120C20MP11	21.0	HD60	1	835	37.6	23.4	16.00	21.75
CZH04812C	TMLX120C20MP11	21.0	HD60	2	1665	46.5	32.4	16.00	12.75
CZH04812C	TMLX120C20MP11	21.0	UC48C	1	1090	38.5	24.8	15.50	21.25
CZH04812C	TMLX120C20MP11	21.0	UC48C	2	1550	45.0	30.3	15.50	12.00
CZH04812C	TMLX120C20MP11	21.0	UC48D	1	1105	38.5	24.8	15.50	21.50
CZH04812C	TMLX120C20MP11	21.0	UC48D	2	1575	45.0	30.5	15.50	12.00
CZH04812C	TMLX120C20MP11	21.0	UC60C	1	1085	39.0	25.4	16.00	22.00
CZH04812C	TMLX120C20MP11	21.0	UC60C	2	1550	45.0	30.2	16.00	12.25
CZH04812C	TMLX120C20MP11	21.0	UC60D	1	1105	39.5	25.6	16.25	22.00
CZH04812C	TMLX120C20MP11	21.0	UC60D	2	1575	45.0	30.6	16.25	12.25
CZH04812C	TM9E080C16MP11	21.0	HD60	1	1085	40.0	26.4	16.50	22.50
CZH04812C	TM9E080C16MP11	21.0	HD60	2	1575	46.5	31.6	16.50	12.50
CZH04812C	TM9E100C16MP11	21.0	HD60	1	1085	40.0	26.4	16.50	22.50
CZH04812C	TM9E100C16MP11	21.0	HD60	2	1575	46.5	31.6	16.50	12.50
CZH04812C	TM9E100C20MP11	21.0	FC/MC/PC48C	1	945	38.5	24.2	16.00	21.75
CZH04812C	TM9E100C20MP11	21.0	FC/MC/PC48C	2	1500	45.0	30.3	16.00	11.75
CZH04812C	TM9E100C20MP11	21.0	FC/MC/PC48D	1	960	38.5	24.4	16.25	22.00
CZH04812C	TM9E100C20MP11	21.0	FC/MC/PC48D	2	1525	45.0	30.2	16.25	12.00
CZH04812C	TM9E100C20MP11	21.0	FC/MC/PC60D	1	960	38.5	24.4	16.00	22.00
CZH04812C	TM9E100C20MP11	21.0	FC/MC/PC60D	2	1525	45.0	30.1	16.00	12.00
CZH04812C	TM9E100C20MP11	21.0	FC/MC62D	1	985	39.0	24.8	16.25	22.25
CZH04812C	TM9E100C20MP11	21.0	FC/MC62D	2	1550	45.5	31.0	16.25	12.25
CZH04812C	TM9E100C20MP11	21.0	FC64D	1	980	40.0	25.8	17.00	23.25
CZH04812C	TM9E100C20MP11	21.0	FC64D	2	1550	47.0	32.2	17.00	12.50
CZH04812C	TM9E100C20MP11	21.0	HD60	1	1220	41.0	26.8	16.50	22.50
CZH04812C	TM9E100C20MP11	21.0	HD60	2	1625	46.5	31.8	16.50	12.75
CZH04812C	TM9E100C20MP11	21.0	UC48D	1	960	37.4	23.6	15.25	21.00
CZH04812C	TM9E100C20MP11	21.0	UC48D	2	1525	45.0	30.0	15.25	11.75
CZH04812C	TM9E100C20MP11	21.0	UC60D	1	960	38.5	24.2	16.00	21.75
CZH04812C	TM9E100C20MP11	21.0	UC60D	2	1525	45.0	30.1	16.00	12.00
CZH04812C	TM9E120D20MP11	24.5	FC/MC/PC48D	1	965	38.5	24.6	16.25	22.00
CZH04812C	TM9E120D20MP11	24.5	FC/MC/PC48D	2	1525	45.0	30.4	16.25	12.25
CZH04812C	TM9E120D20MP11	24.5	FC/MC/PC60D	1	980	39.0	24.6	16.25	22.25
CZH04812C	TM9E120D20MP11	24.5	FC/MC/PC60D	2	1550	45.0	30.2	16.25	12.25
CZH04812C	TM9E120D20MP11	24.5	FC/MC62D	1	980	39.0	24.8	16.25	22.25
CZH04812C	TM9E120D20MP11	24.5	FC/MC62D	2	1550	45.5	31.0	16.25	12.25
CZH04812C	TM9E120D20MP11	24.5	FC64D	1	960	40.0	25.6	16.75	23.25
CZH04812C	TM9E120D20MP11	24.5	FC64D	2	1525	46.5	31.8	16.75	12.50
CZH04812C	TM9E120D20MP11	24.5	HD60	1	1240	41.0	27.8	16.50	22.50
CZH04812C	TM9E120D20MP11	24.5	HD60	2	1645	46.5	32.0	16.50	12.75
CZH04812C	TM9E120D20MP11	24.5	UC48D	1	965	37.2	23.6	15.50	21.00
CZH04812C	TM9E120D20MP11	24.5	UC48D	2	1525	45.0	30.0	15.50	11.75
CZH04812C	TM9E120D20MP11	24.5	UC60D	1	980	39.0	24.8	16.25	22.25
CZH04812C	TM9E120D20MP11	24.5	UC60D	2	1550	45.0	30.3	16.25	12.00
CZH04812C	TM9X080C16MP11	21.0	HD60	1	1085	40.0	26.4	16.50	22.50
CZH04812C	TM9X080C16MP11	21.0	HD60	2	1575	46.5	31.6	16.50	12.50
CZH04812C	TM9X100C16MP11	21.0	HD60	1	1085	40.0	26.4	16.50	22.50
CZH04812C	TM9X100C16MP11	21.0	HD60	2	1575	46.5	31.6	16.50	12.50
CZH04812C	TM9X100C20MP11	21.0	FC/MC/PC48C	1	945	38.5	24.2	16.00	21.75
CZH04812C	TM9X100C20MP11	21.0	FC/MC/PC48C	2	1500	44.5	30.0	16.00	11.75
CZH04812C	TM9X100C20MP11	21.0	FC/MC/PC48D	1	960	38.5	24.4	16.25	22.00
CZH04812C	TM9X100C20MP11	21.0	FC/MC/PC48D	2	1525	45.0	30.2	16.25	12.00

For Notes See Page 27.

COOLING CAPACITY - With High Efficiency Motor Furnaces (Continued)

UNIT MODEL	FURNACE		COIL MODEL ¹	COOLING					
	MODEL	WIDTH		STAGE	RATED CFM	NET MBH		SEER	EER
						TOTAL	SENS.		
18 SEER AC WITH HIGH EFFICIENCY MOTOR FURNACES²									
CZH04812C	TM9X100C20MP11	21.0	FC/MC/PC60D	1	960	38.5	24.4	16.00	22.00
CZH04812C	TM9X100C20MP11	21.0	FC/MC/PC60D	2	1525	44.5	29.8	16.00	12.00
CZH04812C	TM9X100C20MP11	21.0	FC/MC62D	1	985	39.0	24.8	16.25	22.25
CZH04812C	TM9X100C20MP11	21.0	FC/MC62D	2	1550	45.5	31.0	16.25	12.25
CZH04812C	TM9X100C20MP11	21.0	FC64D	1	980	40.0	25.8	17.00	23.25
CZH04812C	TM9X100C20MP11	21.0	FC64D	2	1550	47.0	32.2	17.00	12.50
CZH04812C	TM9X100C20MP11	21.0	HD60	1	1220	41.0	26.8	16.50	22.50
CZH04812C	TM9X100C20MP11	21.0	HD60	2	1625	46.5	31.8	16.50	12.75
CZH04812C	TM9X100C20MP11	21.0	UC48C	1	945	37.0	23.4	15.25	20.75
CZH04812C	TM9X100C20MP11	21.0	UC48C	2	1500	43.5	28.8	15.25	11.50
CZH04812C	TM9X100C20MP11	21.0	UC48D	1	960	37.4	23.6	15.25	21.00
CZH04812C	TM9X100C20MP11	21.0	UC48D	2	1525	43.5	29.0	15.25	11.75
CZH04812C	TM9X100C20MP11	21.0	UC60D	1	960	38.5	24.2	16.00	21.75
CZH04812C	TM9X100C20MP11	21.0	UC60D	2	1525	44.5	29.8	16.00	12.00
CZH04812C	TM9X120D20MP11	24.5	FC/MC/PC48D	1	965	38.5	24.6	16.25	22.00
CZH04812C	TM9X120D20MP11	24.5	FC/MC/PC48D	2	1525	45.0	30.4	16.25	12.25
CZH04812C	TM9X120D20MP11	24.5	FC/MC/PC60D	1	980	39.0	24.6	16.25	22.25
CZH04812C	TM9X120D20MP11	24.5	FC/MC/PC60D	2	1550	45.0	30.2	16.25	12.25
CZH04812C	TM9X120D20MP11	24.5	FC/MC62D	1	980	39.0	24.8	16.25	22.25
CZH04812C	TM9X120D20MP11	24.5	FC/MC62D	2	1550	45.5	31.0	16.25	12.25
CZH04812C	TM9X120D20MP11	24.5	FC64D	1	960	40.0	25.6	16.75	23.25
CZH04812C	TM9X120D20MP11	24.5	FC64D	2	1525	46.5	31.8	16.75	12.50
CZH04812C	TM9X120D20MP11	24.5	HD60	1	1240	41.0	27.8	16.50	22.50
CZH04812C	TM9X120D20MP11	24.5	HD60	2	1645	46.5	32.0	16.50	12.75
CZH04812C	TM9X120D20MP11	24.5	UC48D	1	965	37.2	23.6	15.50	21.00
CZH04812C	TM9X120D20MP11	24.5	UC48D	2	1525	43.5	29.0	15.50	11.75
CZH04812C	TM9X120D20MP11	24.5	UC60D	1	980	39.0	24.8	16.25	22.25
CZH04812C	TM9X120D20MP11	24.5	UC60D	2	1550	44.5	30.0	16.25	12.00
CZH04812C	Y*LC*C16	21.0	FC/MC/PC48C	1	1120	40.0	26.0	16.00	21.75
CZH04812C	Y*LC*C16	21.0	FC/MC/PC48C	2	1565	45.0	30.4	16.00	11.75
CZH04812C	Y*LC*C16	21.0	FC/MC/PC48D	1	1120	40.0	26.0	16.00	21.75
CZH04812C	Y*LC*C16	21.0	FC/MC/PC48D	2	1565	45.0	30.4	16.00	11.75
CZH04812C	Y*LC*C16	21.0	FC/MC/PC60D	1	1025	39.0	25.0	15.75	21.50
CZH04812C	Y*LC*C16	21.0	FC/MC/PC60D	2	1600	45.0	31.0	15.75	12.00
CZH04812C	Y*LC*C16	21.0	FC/MC62D	1	1025	39.0	25.2	16.00	21.75
CZH04812C	Y*LC*C16	21.0	FC/MC62D	2	1635	46.0	31.8	16.00	12.25
CZH04812C	Y*LC*C16	21.0	FC/PC60C	1	1025	39.0	25.0	15.75	21.50
CZH04812C	Y*LC*C16	21.0	FC/PC60C	2	1600	45.0	31.0	15.75	12.00
CZH04812C	Y*LC*C16	21.0	FC64D	1	1025	40.5	26.8	16.75	23.00
CZH04812C	Y*LC*C16	21.0	FC64D	2	1635	47.0	33.1	16.75	12.75
CZH04812C	Y*LC*C16	21.0	HD60	1	1035	39.5	25.6	16.25	22.00
CZH04812C	Y*LC*C16	21.0	HD60	2	1625	46.0	31.6	16.25	12.50
CZH04812C	Y*LC*C16	21.0	UC48C	1	1035	37.8	24.4	15.00	20.75
CZH04812C	Y*LC*C16	21.0	UC48C	2	1615	45.0	30.5	15.00	11.75
CZH04812C	Y*LC*C16	21.0	UC60C	1	1035	39.0	24.8	15.75	21.50
CZH04812C	Y*LC*C16	21.0	UC60C	2	1625	45.0	30.8	15.75	12.00
CZH04812C	Y*LC*C20	21.0	FC/MC/PC48C	1	1080	39.0	25.2	16.00	21.75
CZH04812C	Y*LC*C20	21.0	FC/MC/PC48C	2	1640	45.5	31.4	16.00	12.25
CZH04812C	Y*LC*C20	21.0	FC/MC/PC48D	1	1080	39.0	25.2	16.00	21.75
CZH04812C	Y*LC*C20	21.0	FC/MC/PC48D	2	1640	45.5	31.4	16.00	12.25
CZH04812C	Y*LC*C20	21.0	FC/MC/PC60D	1	1060	39.0	25.0	15.75	21.50
CZH04812C	Y*LC*C20	21.0	FC/MC/PC60D	2	1625	45.0	31.0	15.75	12.25

For Notes See Page 27.

COOLING CAPACITY - With High Efficiency Motor Furnaces (Continued)

UNIT MODEL	FURNACE		COIL MODEL ¹	COOLING					
	MODEL	WIDTH		STAGE	RATED CFM	NET MBH		SEER	EER
						TOTAL	SENS.		
18 SEER AC WITH HIGH EFFICIENCY MOTOR FURNACES²									
CZH04812C	Y*LC*C20	21.0	FC/MC62D	1	1060	39.5	25.6	16.00	22.00
CZH04812C	Y*LC*C20	21.0	FC/MC62D	2	1620	46.0	31.8	16.00	12.50
CZH04812C	Y*LC*C20	21.0	FC/PC60C	1	1060	39.0	25.0	15.75	21.50
CZH04812C	Y*LC*C20	21.0	FC/PC60C	2	1625	45.0	31.0	15.75	12.25
CZH04812C	Y*LC*C20	21.0	FC64D	1	1060	40.5	26.8	16.75	23.00
CZH04812C	Y*LC*C20	21.0	FC64D	2	1630	47.5	33.2	16.75	12.75
CZH04812C	Y*LC*C20	21.0	HD60	1	1015	39.5	25.4	16.25	22.25
CZH04812C	Y*LC*C20	21.0	HD60	2	1605	46.5	31.6	16.25	12.50
CZH04812C	Y*LC*C20	21.0	UC48C	1	1080	38.5	24.8	15.00	20.75
CZH04812C	Y*LC*C20	21.0	UC48C	2	1640	45.0	30.3	15.00	12.00
CZH04812C	Y*LC*C20	21.0	UC60C	1	1015	38.5	24.8	16.00	21.75
CZH04812C	Y*LC*C20	21.0	UC60C	2	1605	45.5	31.0	16.00	12.50
CZH04812C	Y*9C*C16	21.0	FC/MC/PC48C	1	1050	39.0	25.2	15.75	21.50
CZH04812C	Y*9C*C16	21.0	FC/MC/PC48C	2	1590	45.5	31.2	15.75	12.00
CZH04812C	Y*9C*C16	21.0	FC/MC/PC48D	1	1050	39.0	25.2	15.75	21.50
CZH04812C	Y*9C*C16	21.0	FC/MC/PC48D	2	1590	45.5	31.2	15.75	12.00
CZH04812C	Y*9C*C16	21.0	FC/MC/PC60D	1	1050	39.0	25.0	15.75	21.25
CZH04812C	Y*9C*C16	21.0	FC/MC/PC60D	2	1590	45.0	31.0	15.75	12.00
CZH04812C	Y*9C*C16	21.0	FC/MC62D	1	1040	39.0	25.2	16.00	21.50
CZH04812C	Y*9C*C16	21.0	FC/MC62D	2	1590	46.0	31.4	16.00	12.25
CZH04812C	Y*9C*C16	21.0	FC/PC60C	1	1050	39.0	25.0	15.75	21.25
CZH04812C	Y*9C*C16	21.0	FC/PC60C	2	1590	45.0	31.0	15.75	12.00
CZH04812C	Y*9C*C16	21.0	FC64D	1	1040	40.5	26.8	16.50	22.75
CZH04812C	Y*9C*C16	21.0	FC64D	2	1590	47.0	33.1	16.50	12.50
CZH04812C	Y*9C*C16	21.0	HD60	1	1050	39.5	25.6	16.00	21.75
CZH04812C	Y*9C*C16	21.0	HD60	2	1590	46.0	31.2	16.00	12.25
CZH04812C	Y*9C*C16	21.0	UC60C	1	1050	38.5	24.6	15.50	21.00
CZH04812C	Y*9C*C16	21.0	UC60C	2	1590	45.0	30.1	15.50	11.75
CZH04812C	Y*9C*C20	21.0	FC/MC/PC48C	1	1055	39.0	25.2	15.75	21.50
CZH04812C	Y*9C*C20	21.0	FC/MC/PC48C	2	1655	45.5	31.2	15.75	12.00
CZH04812C	Y*9C*C20	21.0	FC/MC/PC48D	1	1055	39.0	25.2	15.75	21.50
CZH04812C	Y*9C*C20	21.0	FC/MC/PC48D	2	1655	45.5	31.2	15.75	12.00
CZH04812C	Y*9C*C20	21.0	FC/MC/PC60D	1	1055	39.0	25.0	15.75	21.50
CZH04812C	Y*9C*C20	21.0	FC/MC/PC60D	2	1655	45.0	31.0	15.75	12.00
CZH04812C	Y*9C*C20	21.0	FC/MC62D	1	1040	39.0	25.2	16.00	21.75
CZH04812C	Y*9C*C20	21.0	FC/MC62D	2	1655	46.0	31.8	16.00	12.00
CZH04812C	Y*9C*C20	21.0	FC/PC60C	1	1055	39.0	25.0	15.75	21.50
CZH04812C	Y*9C*C20	21.0	FC/PC60C	2	1655	45.0	31.0	15.75	12.00
CZH04812C	Y*9C*C20	21.0	FC64D	1	1040	40.5	26.8	16.75	22.75
CZH04812C	Y*9C*C20	21.0	FC64D	2	1655	47.0	32.9	16.75	12.25
CZH04812C	Y*9C*C20	21.0	HD60	1	1055	39.5	25.6	16.25	22.00
CZH04812C	Y*9C*C20	21.0	HD60	2	1655	46.0	31.8	16.25	12.25
CZH04812C	Y*9C*C20	21.0	UC48C	1	1055	37.8	24.4	15.00	20.50
CZH04812C	Y*9C*C20	21.0	UC48C	2	1655	45.0	30.7	15.00	11.75
CZH04812C	Y*9C*C20	21.0	UC60C	1	1055	38.5	25.0	15.75	21.25
CZH04812C	Y*9C*C20	21.0	UC60C	2	1655	45.0	31.0	15.75	12.00
CZH04812C	Y*9C*D20	24.5	FC/MC/PC48D	1	1060	39.0	25.2	15.75	21.50
CZH04812C	Y*9C*D20	24.5	FC/MC/PC48D	2	1645	45.5	31.2	15.75	12.00
CZH04812C	Y*9C*D20	24.5	FC/MC/PC60D	1	1070	39.0	25.0	15.75	21.50
CZH04812C	Y*9C*D20	24.5	FC/MC/PC60D	2	1615	45.0	31.0	15.75	12.00
CZH04812C	Y*9C*D20	24.5	FC/MC62D	1	1085	39.5	25.6	16.00	21.75
CZH04812C	Y*9C*D20	24.5	FC/MC62D	2	1630	46.0	31.6	16.00	12.25

For Notes See Page 27.

COOLING CAPACITY - With High Efficiency Motor Furnaces (Continued)

UNIT MODEL	FURNACE		COIL MODEL ¹	COOLING					
	MODEL	WIDTH		STAGE	RATED CFM	NET MBH		SEER	EER
						TOTAL	SENS.		
18 SEER AC WITH HIGH EFFICIENCY MOTOR FURNACES²									
CZH04812C	Y*9C*D20	24.5	FC64D	1	1085	40.5	26.8	16.50	22.50
CZH04812C	Y*9C*D20	24.5	FC64D	2	1630	47.0	32.9	16.50	12.50
CZH04812C	Y*9C*D20	24.5	HD60	1	1070	40.0	26.4	16.25	22.25
CZH04812C	Y*9C*D20	24.5	HD60	2	1615	46.0	31.4	16.25	12.25
CZH04812C	Y*9C*D20	24.5	UC48D	1	1060	37.8	24.4	15.00	20.50
CZH04812C	Y*9C*D20	24.5	UC48D	2	1645	45.0	30.7	15.00	11.75
CZH04812C	Y*9C*D20	24.5	UC60D	1	1070	39.0	25.2	15.75	21.25
CZH04812C	Y*9C*D20	24.5	UC60D	2	1615	45.0	30.6	15.75	12.00
CZH06012C	T*(8,L)V*C16	21.0	FC/PC60C	1	1025	46.0	28.6	14.75	20.00
CZH06012C	T*(8,L)V*C16	21.0	FC/PC60C	2	1600	55.0	36.9	14.75	11.70
CZH06012C	T*(8,L)V*C20	21.0	FC/MC/PC60D	1	1060	46.5	29.2	15.00	20.25
CZH06012C	T*(8,L)V*C20	21.0	FC/MC/PC60D	2	1600	55.5	37.1	15.00	11.70
CZH06012C	T*(8,L)V*C20	21.0	FC/MC62D	1	1015	46.0	29.0	14.75	19.75
CZH06012C	T*(8,L)V*C20	21.0	FC/MC62D	2	1600	56.0	38.2	14.75	11.70
CZH06012C	T*(8,L)V*C20	21.0	FC/PC60C	1	1060	46.5	29.2	15.00	20.25
CZH06012C	T*(8,L)V*C20	21.0	FC/PC60C	2	1600	55.5	37.1	15.00	11.70
CZH06012C	T*(8,L)V*C20	21.0	FC64D	1	1060	48.0	30.4	15.50	21.00
CZH06012C	T*(8,L)V*C20	21.0	FC64D	2	1855	58.5	41.6	15.50	11.75
CZH06012C	T*(8,L)V*C20	21.0	HD60	1	1015	46.0	29.2	15.00	20.25
CZH06012C	T*(8,L)V*C20	21.0	HD60	2	1605	56.0	37.7	15.00	11.75
CZH06012C	T*(8,L)V*C20	21.0	UC60C	1	1015	45.5	28.4	15.00	20.00
CZH06012C	T*(8,L)V*C20	21.0	UC60C	2	1605	55.5	37.3	15.00	11.70
CZH06012C	T*9V*C20	21.0	FC/MC/PC60D	1	1055	46.5	29.0	15.00	20.00
CZH06012C	T*9V*C20	21.0	FC/MC/PC60D	2	1655	55.5	37.5	15.00	11.70
CZH06012C	T*9V*C20	21.0	FC/MC62D	1	1040	46.0	29.2	15.00	20.00
CZH06012C	T*9V*C20	21.0	FC/MC62D	2	1655	56.0	38.2	15.00	11.70
CZH06012C	T*9V*C20	21.0	FC/PC60C	1	1055	46.5	29.0	15.00	20.00
CZH06012C	T*9V*C20	21.0	FC/PC60C	2	1655	55.5	37.5	15.00	11.70
CZH06012C	T*9V*C20	21.0	FC64D	1	1040	48.0	30.2	15.50	20.75
CZH06012C	T*9V*C20	21.0	FC64D	2	1655	57.5	39.7	15.50	11.75
CZH06012C	T*9V*C20	21.0	HD60	1	1055	46.5	29.8	15.00	20.00
CZH06012C	T*9V*C20	21.0	HD60	2	1655	55.5	38.2	15.00	11.70
CZH06012C	T*9V*C20	21.0	UC60C	1	1055	46.0	28.8	14.75	19.75
CZH06012C	T*9V*C20	21.0	UC60C	2	1655	55.5	37.5	14.75	11.70
CZH06012C	T*9V*D20	24.5	FC/MC/PC60D	1	1070	46.5	29.2	15.00	20.00
CZH06012C	T*9V*D20	24.5	FC/MC/PC60D	2	1615	55.5	37.1	15.00	11.70
CZH06012C	T*9V*D20	24.5	FC/MC62D	1	1085	47.0	29.8	15.00	20.00
CZH06012C	T*9V*D20	24.5	FC/MC62D	2	1630	56.0	38.2	15.00	11.70
CZH06012C	T*9V*D20	24.5	FC64D	1	1085	48.5	30.8	15.50	21.00
CZH06012C	T*9V*D20	24.5	FC64D	2	1630	57.5	39.2	15.50	11.75
CZH06012C	T*9V*D20	24.5	HD60	1	1070	46.5	29.8	15.00	20.00
CZH06012C	T*9V*D20	24.5	HD60	2	1615	56.0	37.7	15.00	11.70
CZH06012C	T*9V*D20	24.5	UC60D	1	1070	46.0	29.0	14.75	19.75
CZH06012C	T*9V*D20	24.5	UC60D	2	1615	55.0	37.1	14.75	11.70
CZH06012C	TM8X080C16MP11	21.0	FC/MC/PC60D	1	1045	46.5	29.0	15.25	20.50
CZH06012C	TM8X080C16MP11	21.0	FC/MC/PC60D	2	1550	55.0	36.5	15.25	11.70
CZH06012C	TM8X080C16MP11	21.0	FC/MC62D	1	1040	46.5	29.4	15.25	20.50
CZH06012C	TM8X080C16MP11	21.0	FC/MC62D	2	1550	55.5	37.5	15.25	11.70
CZH06012C	TM8X080C16MP11	21.0	FC64D	1	1045	48.0	30.4	15.75	21.50
CZH06012C	TM8X080C16MP11	21.0	FC64D	2	1550	57.0	38.7	15.75	11.75
CZH06012C	TM8X100C16MP11	21.0	FC/MC/PC60D	1	1045	46.5	29.0	15.25	20.50
CZH06012C	TM8X100C16MP11	21.0	FC/MC/PC60D	2	1550	55.0	36.5	15.25	11.70

For Notes See Page 27.

COOLING CAPACITY - With High Efficiency Motor Furnaces (Continued)

UNIT MODEL	FURNACE		COIL MODEL ¹	COOLING						
	MODEL	WIDTH		STAGE	RATED CFM	NET MBH		SEER	EER	
						TOTAL	SENS.			
18 SEER AC WITH HIGH EFFICIENCY MOTOR FURNACES²										
CZH06012C	TM8X100C16MP11	21.0	FC/MC62D	1	1040	46.5	29.4	15.25	20.50	
CZH06012C	TM8X100C16MP11	21.0	FC/MC62D	2	1550	55.5	37.5	15.25	11.70	
CZH06012C	TM8X100C16MP11	21.0	FC64D	1	1045	48.0	30.4	15.75	21.50	
CZH06012C	TM8X100C16MP11	21.0	FC64D	2	1550	57.0	38.7	15.75	11.75	
CZH06012C	TM8X100C20MP11	21.0	FC/MC/PC60D	1	1105	47.0	29.8	15.25	20.50	
CZH06012C	TM8X100C20MP11	21.0	FC/MC/PC60D	2	1575	55.5	36.9	15.25	11.70	
CZH06012C	TM8X100C20MP11	21.0	FC/MC62D	1	1100	47.0	30.0	15.25	20.50	
CZH06012C	TM8X100C20MP11	21.0	FC/MC62D	2	1575	56.0	37.7	15.25	11.70	
CZH06012C	TM8X100C20MP11	21.0	FC/PC60C	1	1085	47.0	29.4	15.25	20.50	
CZH06012C	TM8X100C20MP11	21.0	FC/PC60C	2	1550	55.0	36.7	15.25	11.70	
CZH06012C	TM8X100C20MP11	21.0	HD60	1	1255	48.5	32.0	15.50	21.00	
CZH06012C	TM8X100C20MP11	21.0	HD60	2	1665	56.5	39.2	15.50	12.00	
CZH06012C	TM8X100C20MP11	21.0	UC60C	1	1085	46.5	29.2	15.00	20.25	
CZH06012C	TM8X100C20MP11	21.0	UC60C	2	1550	55.0	36.5	15.00	11.70	
CZH06012C	TM8X100C20MP11	21.0	UC60D	1	1105	46.5	29.6	15.25	20.50	
CZH06012C	TM8X100C20MP11	21.0	UC60D	2	1575	55.0	36.9	15.25	11.70	
CZH06012C	TM8X120C20MP11	21.0	FC/MC/PC60D	1	1105	47.0	29.8	15.25	20.50	
CZH06012C	TM8X120C20MP11	21.0	FC/MC/PC60D	2	1575	55.5	36.9	15.25	11.70	
CZH06012C	TM8X120C20MP11	21.0	FC/MC62D	1	1100	47.0	30.0	15.25	20.50	
CZH06012C	TM8X120C20MP11	21.0	FC/MC62D	2	1575	56.0	37.7	15.25	11.70	
CZH06012C	TM8X120C20MP11	21.0	FC/PC60C	1	1085	47.0	29.4	15.25	20.50	
CZH06012C	TM8X120C20MP11	21.0	FC/PC60C	2	1550	55.0	36.7	15.25	11.70	
CZH06012C	TM8X120C20MP11	21.0	HD60	1	1255	48.5	32.0	15.50	21.00	
CZH06012C	TM8X120C20MP11	21.0	HD60	2	1665	56.5	39.2	15.50	12.00	
CZH06012C	TM8X120C20MP11	21.0	UC60C	1	1085	46.5	29.2	15.00	20.25	
CZH06012C	TM8X120C20MP11	21.0	UC60C	2	1550	55.0	36.5	15.00	11.70	
CZH06012C	TM8X120C20MP11	21.0	UC60D	1	1105	46.5	29.6	15.25	20.50	
CZH06012C	TM8X120C20MP11	21.0	UC60D	2	1575	55.0	36.9	15.25	11.70	
CZH06012C	TMLX080C16MP11	21.0	FC/MC/PC60D	1	1045	46.5	29.0	15.25	20.50	
CZH06012C	TMLX080C16MP11	21.0	FC/MC/PC60D	2	1550	55.0	36.5	15.25	11.70	
CZH06012C	TMLX080C16MP11	21.0	FC/MC62D	1	1040	46.5	29.4	15.25	20.50	
CZH06012C	TMLX080C16MP11	21.0	FC/MC62D	2	1550	55.5	37.5	15.25	11.70	
CZH06012C	TMLX080C16MP11	21.0	FC64D	1	1045	48.0	30.4	15.75	21.50	
CZH06012C	TMLX080C16MP11	21.0	FC64D	2	1550	57.0	38.7	15.75	11.75	
CZH06012C	TMLX100C16MP11	21.0	FC/MC/PC60D	1	1045	46.5	29.0	15.25	20.50	
CZH06012C	TMLX100C16MP11	21.0	FC/MC/PC60D	2	1550	55.0	36.5	15.25	11.70	
CZH06012C	TMLX100C16MP11	21.0	FC/MC62D	1	1040	46.5	29.4	15.25	20.50	
CZH06012C	TMLX100C16MP11	21.0	FC/MC62D	2	1550	55.5	37.5	15.25	11.70	
CZH06012C	TMLX100C16MP11	21.0	FC64D	1	1045	48.0	30.4	15.75	21.50	
CZH06012C	TMLX100C16MP11	21.0	FC64D	2	1550	57.0	38.7	15.75	11.75	
CZH06012C	TMLX100C20MP11	21.0	FC/MC/PC60D	1	1105	47.0	29.8	15.25	20.50	
CZH06012C	TMLX100C20MP11	21.0	FC/MC/PC60D	2	1575	55.5	36.9	15.25	11.70	
CZH06012C	TMLX100C20MP11	21.0	FC/MC62D	1	1100	47.0	30.0	15.25	20.50	
CZH06012C	TMLX100C20MP11	21.0	FC/MC62D	2	1575	56.0	37.7	15.25	11.70	
CZH06012C	TMLX100C20MP11	21.0	FC/PC60C	1	1085	47.0	29.4	15.25	20.50	
CZH06012C	TMLX100C20MP11	21.0	FC/PC60C	2	1550	55.0	36.7	15.25	11.70	
CZH06012C	TMLX100C20MP11	21.0	HD60	1	1255	48.5	32.0	15.50	21.00	
CZH06012C	TMLX100C20MP11	21.0	HD60	2	1665	56.5	39.2	15.50	12.00	
CZH06012C	TMLX100C20MP11	21.0	UC60C	1	1085	46.5	29.2	15.00	20.25	
CZH06012C	TMLX100C20MP11	21.0	UC60C	2	1550	55.0	36.5	15.00	11.70	
CZH06012C	TMLX100C20MP11	21.0	UC60D	1	1105	46.5	29.6	15.25	20.50	
CZH06012C	TMLX100C20MP11	21.0	UC60D	2	1575	55.0	36.9	15.25	11.70	

For Notes See Page 27.

COOLING CAPACITY - With High Efficiency Motor Furnaces (Continued)

UNIT MODEL	FURNACE		COIL MODEL ¹	COOLING					
	MODEL	WIDTH		STAGE	RATED CFM	NET MBH		SEER	EER
						TOTAL	SENS.		
18 SEER AC WITH HIGH EFFICIENCY MOTOR FURNACES²									
CZH06012C	TMLX120C20MP11	21.0	FC/MC/PC60D	1	1105	47.0	29.8	15.25	20.50
CZH06012C	TMLX120C20MP11	21.0	FC/MC/PC60D	2	1575	55.5	36.9	15.25	11.70
CZH06012C	TMLX120C20MP11	21.0	FC/MC62D	1	1100	47.0	30.0	15.25	20.50
CZH06012C	TMLX120C20MP11	21.0	FC/MC62D	2	1575	56.0	37.7	15.25	11.70
CZH06012C	TMLX120C20MP11	21.0	FC/PC60C	1	1085	47.0	29.4	15.25	20.50
CZH06012C	TMLX120C20MP11	21.0	FC/PC60C	2	1550	55.0	36.7	15.25	11.70
CZH06012C	TMLX120C20MP11	21.0	HD60	1	1255	48.5	32.0	15.50	21.00
CZH06012C	TMLX120C20MP11	21.0	HD60	2	1665	56.5	39.2	15.50	12.00
CZH06012C	TMLX120C20MP11	21.0	UC60C	1	1085	46.5	29.2	15.00	20.25
CZH06012C	TMLX120C20MP11	21.0	UC60C	2	1550	55.0	36.5	15.00	11.70
CZH06012C	TMLX120C20MP11	21.0	UC60D	1	1105	46.5	29.6	15.25	20.50
CZH06012C	TMLX120C20MP11	21.0	UC60D	2	1575	55.0	36.9	15.25	11.70
CZH06012C	TM9E100C20MP11	21.0	FC/MC62D	1	985	46.0	28.8	15.25	20.25
CZH06012C	TM9E100C20MP11	21.0	FC/MC62D	2	1550	55.5	37.5	15.25	11.70
CZH06012C	TM9E100C20MP11	21.0	FC64D	1	980	47.5	29.6	15.75	21.25
CZH06012C	TM9E100C20MP11	21.0	FC64D	2	1550	57.0	38.7	15.75	11.75
CZH06012C	TM9E100C20MP11	21.0	HD60	1	1220	48.5	32.0	15.50	20.75
CZH06012C	TM9E100C20MP11	21.0	HD60	2	1625	56.5	39.2	15.50	12.00
CZH06012C	TM9E120D20MP11	24.5	FC/MC/PC60D	1	980	46.0	28.4	15.00	20.50
CZH06012C	TM9E120D20MP11	24.5	FC/MC/PC60D	2	1550	55.0	36.7	15.00	11.70
CZH06012C	TM9E120D20MP11	24.5	FC/MC62D	1	980	45.5	28.6	15.25	20.25
CZH06012C	TM9E120D20MP11	24.5	FC/MC62D	2	1550	55.5	37.5	15.25	11.70
CZH06012C	TM9E120D20MP11	24.5	FC64D	1	960	47.0	29.4	15.50	21.00
CZH06012C	TM9E120D20MP11	24.5	FC64D	2	1525	57.0	38.2	15.50	11.75
CZH06012C	TM9E120D20MP11	24.5	HD60	1	1240	48.5	32.0	15.50	21.00
CZH06012C	TM9E120D20MP11	24.5	HD60	2	1645	56.5	38.7	15.50	11.75
CZH06012C	TM9E120D20MP11	24.5	UC60D	1	980	46.0	28.4	15.25	20.25
CZH06012C	TM9E120D20MP11	24.5	UC60D	2	1550	54.5	36.1	15.25	11.70
CZH06012C	TM9X100C20MP11	21.0	FC/MC/PC60D	1	960	45.5	28.0	15.00	20.25
CZH06012C	TM9X100C20MP11	21.0	FC/MC/PC60D	2	1525	54.5	36.3	15.00	11.25
CZH06012C	TM9X100C20MP11	21.0	FC/MC62D	1	985	46.0	28.8	15.25	20.25
CZH06012C	TM9X100C20MP11	21.0	FC/MC62D	2	1550	55.5	37.5	15.25	11.50
CZH06012C	TM9X100C20MP11	21.0	FC64D	1	980	47.5	29.6	15.75	21.25
CZH06012C	TM9X100C20MP11	21.0	FC64D	2	1550	57.0	38.7	15.75	11.75
CZH06012C	TM9X100C20MP11	21.0	HD60	1	1220	48.5	32.0	15.50	20.75
CZH06012C	TM9X100C20MP11	21.0	HD60	2	1625	56.5	39.2	15.50	12.00
CZH06012C	TM9X100C20MP11	21.0	UC60D	1	960	45.0	27.8	14.75	19.75
CZH06012C	TM9X100C20MP11	21.0	UC60D	2	1525	54.5	36.1	14.75	11.25
CZH06012C	TM9X120D20MP11	24.5	FC/MC/PC60D	1	980	46.0	28.4	15.00	20.50
CZH06012C	TM9X120D20MP11	24.5	FC/MC/PC60D	2	1550	55.0	36.7	15.00	11.50
CZH06012C	TM9X120D20MP11	24.5	FC/MC62D	1	980	45.5	28.6	15.25	20.25
CZH06012C	TM9X120D20MP11	24.5	FC/MC62D	2	1550	55.5	37.5	15.25	11.50
CZH06012C	TM9X120D20MP11	24.5	FC64D	1	960	47.0	29.4	15.50	21.00
CZH06012C	TM9X120D20MP11	24.5	FC64D	2	1525	57.0	38.2	15.50	11.75
CZH06012C	TM9X120D20MP11	24.5	HD60	1	1240	48.5	32.0	15.50	21.00
CZH06012C	TM9X120D20MP11	24.5	HD60	2	1645	56.5	38.7	15.50	11.75
CZH06012C	TM9X120D20MP11	24.5	UC60D	1	980	46.0	28.4	15.25	20.25
CZH06012C	TM9X120D20MP11	24.5	UC60D	2	1550	54.5	36.1	15.25	11.25
CZH06012C	Y*LC*C16	21.0	FC/PC60C	1	1025	46.0	28.6	14.75	20.00
CZH06012C	Y*LC*C16	21.0	FC/PC60C	2	1600	55.0	36.9	14.75	11.70
CZH06012C	Y*LC*C20	21.0	FC/MC/PC60D	1	1060	46.5	29.2	15.00	20.25
CZH06012C	Y*LC*C20	21.0	FC/MC/PC60D	2	1600	55.5	37.1	15.00	11.70

For Notes See Page 27.

COOLING CAPACITY - With High Efficiency Motor Furnaces (Continued)

UNIT MODEL	FURNACE		COIL MODEL ¹	COOLING					
	MODEL	WIDTH		STAGE	RATED CFM	NET MBH		SEER	EER
						TOTAL	SENS.		
18 SEER AC WITH HIGH EFFICIENCY MOTOR FURNACES²									
CZH06012C	Y*LC*C20	21.0	FC/MC62D	1	1015	46.0	29.0	14.75	19.75
CZH06012C	Y*LC*C20	21.0	FC/MC62D	2	1600	56.0	38.2	14.75	11.70
CZH06012C	Y*LC*C20	21.0	FC/PC60C	1	1060	46.5	29.2	15.00	20.25
CZH06012C	Y*LC*C20	21.0	FC/PC60C	2	1600	55.5	37.1	15.00	11.70
CZH06012C	Y*LC*C20	21.0	FC64D	1	1060	48.0	30.4	15.50	21.00
CZH06012C	Y*LC*C20	21.0	FC64D	2	1855	58.5	41.6	15.50	11.75
CZH06012C	Y*LC*C20	21.0	HD60	1	1015	46.0	29.2	15.00	20.25
CZH06012C	Y*LC*C20	21.0	HD60	2	1605	56.0	37.7	15.00	11.75
CZH06012C	Y*LC*C20	21.0	UC60C	1	1015	45.5	28.4	15.00	20.00
CZH06012C	Y*LC*C20	21.0	UC60C	2	1605	55.5	37.3	15.00	11.70
CZH06012C	Y*9C*C20	21.0	FC/MC/PC60D	1	1055	46.5	29.0	15.00	20.00
CZH06012C	Y*9C*C20	21.0	FC/MC/PC60D	2	1655	55.5	37.5	15.00	11.70
CZH06012C	Y*9C*C20	21.0	FC/MC62D	1	1040	46.0	29.2	15.00	20.00
CZH06012C	Y*9C*C20	21.0	FC/MC62D	2	1655	56.0	38.2	15.00	11.70
CZH06012C	Y*9C*C20	21.0	FC/PC60C	1	1055	46.5	29.0	15.00	20.00
CZH06012C	Y*9C*C20	21.0	FC/PC60C	2	1655	55.5	37.5	15.00	11.70
CZH06012C	Y*9C*C20	21.0	FC64D	1	1040	48.0	30.2	15.50	20.75
CZH06012C	Y*9C*C20	21.0	FC64D	2	1655	57.5	39.7	15.50	11.75
CZH06012C	Y*9C*C20	21.0	HD60	1	1055	46.5	29.8	15.00	20.00
CZH06012C	Y*9C*C20	21.0	HD60	2	1655	55.5	38.2	15.00	11.70
CZH06012C	Y*9C*C20	21.0	UC60C	1	1055	46.0	28.8	14.75	19.75
CZH06012C	Y*9C*C20	21.0	UC60C	2	1655	55.5	37.5	14.75	11.70
CZH06012C	Y*9C*D20	24.5	FC/MC/PC60D	1	1070	46.5	29.2	15.00	20.00
CZH06012C	Y*9C*D20	24.5	FC/MC/PC60D	2	1615	55.5	37.1	15.00	11.70
CZH06012C	Y*9C*D20	24.5	FC/MC62D	1	1085	47.0	29.8	15.00	20.00
CZH06012C	Y*9C*D20	24.5	FC/MC62D	2	1630	56.0	38.2	15.00	11.70
CZH06012C	Y*9C*D20	24.5	FC64D	1	1085	48.5	30.8	15.50	21.00
CZH06012C	Y*9C*D20	24.5	FC64D	2	1630	57.5	39.2	15.50	11.75
CZH06012C	Y*9C*D20	24.5	HD60	1	1070	46.5	29.8	15.00	20.00
CZH06012C	Y*9C*D20	24.5	HD60	2	1615	56.0	37.7	15.00	11.70
CZH06012C	Y*9C*D20	24.5	UC60D	1	1070	46.0	29.0	14.75	19.75
CZH06012C	Y*9C*D20	24.5	UC60D	2	1615	55.0	37.1	14.75	11.70

1. MC coils available with a factory installed horizontal drain pan. See price pages for specific model number.
 2. High Efficiency Motor Furnaces have B.O.D (Blower on Delay) standard.
 PSC furnaces, such as the TG8S, TGLS, and TG9S, use Coil Only Ratings.

ACCESSORIES

Refer to Price Manual for specific model numbers.

Application Limits		
Maximum Lineset Equivalent Length	75 Ft	
Outdoor Ambient Temperature Limits		
Cooling Operation	Maximum DB	115°F
	Minimum DB	65°F

Long Lineset Applications - For installations with more than 75' of equivalent lineset length, refer to the current version of the **Piping Application Guide 247077-UAD-H-0209**, available in the Application Bulletins section on UPGnet.

Start Assist Kit (S1-2SA067*) - Provides increased starting torque for areas with low voltage. See Hard Start Kit Accessory Installation Manual for Hard Start Kit part number for each model.

TXV Kits - S1-1TVM series thermal expansion valves precisely meter refrigerant for optimum performance over a wide range of conditions. See System Charge table for TXV part number for each model.

Dehumidistat (S1-2HU16700124) - Provides increased dehumidification when matched with variable speed furnace or air handler.

Thermostats - Compatible thermostat controls are available through accessory sourcing. For optimum performance, these outdoor units are fully compatible with the Residential Touch-screen Communicating Control (Zoning and Non-Zoning versions). For more information, see the Residential Control Systems section of the Product Equipment Catalog.

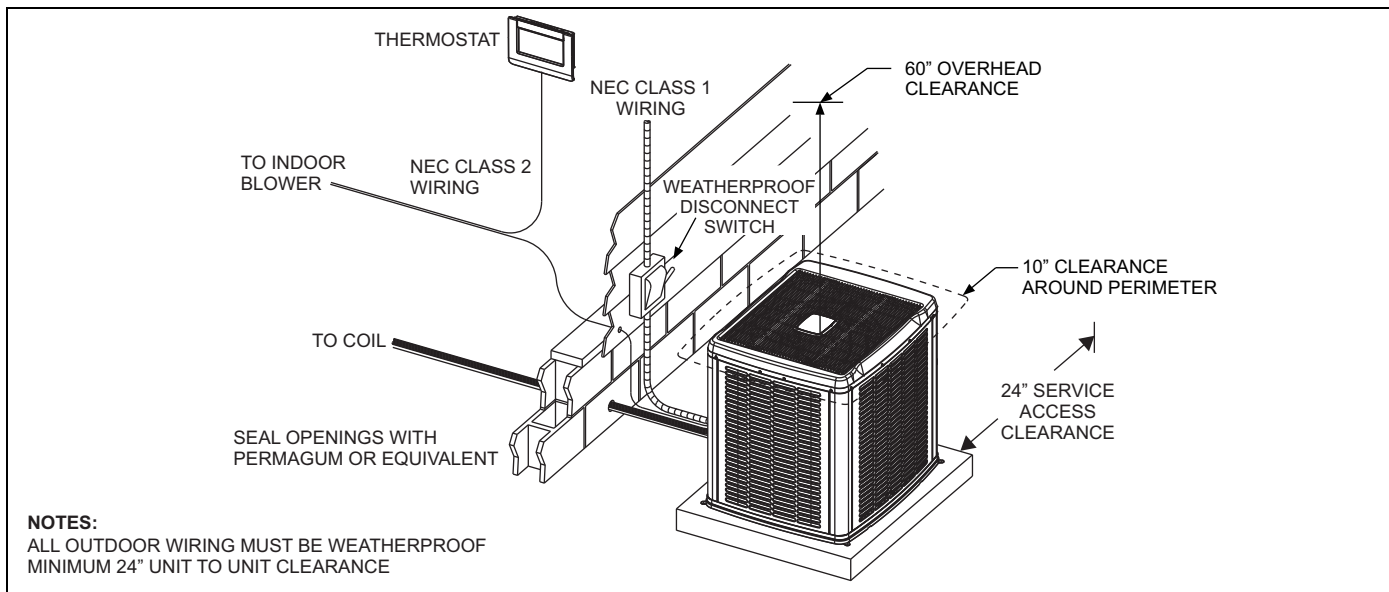
SOUND POWER RATINGS

Stage 1	Octave Band Sound Power Level (db re. 1-pW)									
Model Number	63	125	250	500	1000	2000	4000	8000	dBA	SQI
CZH02412C	67	72	65	70	64	56	50	47	69	19.0
CZH03612C	69	70	64	72	64	57	53	49	71	19.0
CZH04812C	69	72	66	71	67	58	51	46	70	19.0
CZH06012C	69	74	69	72	67	61	56	50	72	19.0

Stage 2	Octave Band Sound Power Level (db re. 1-pW)									
Model Number	63	125	250	500	1000	2000	4000	8000	dBA	SQI
CZH02412C	67	72	66	70	64	57	52	49	70	19.0
CZH03612C	67	69	65	71	64	57	53	51	70	19.0
CZH04812C	69	74	66	67	65	57	51	47	69	19.0
CZH06012C	69	74	68	71	67	62	54	48	72	19.0

Rated in accordance with ARI Standard 270.

TYPICAL INSTALLATION



COOLING PERFORMANCE DATA - LOW CFM 1-STAGE OPERATION																
OUTDOOR UNIT MODEL NO.		CZH02412C														
INDOOR COIL MODEL NO.		FC48D + MV12D														
AIR TEMP. ENTERING OUTDOOR UNIT (°F)	ID CFM	550					600					650				
	ID DB (°F)	80	80	75	80	80	80	80	75	80	80	80	80	75	80	80
	ID WB (°F)	57	62	62	67	72	57	62	62	67	72	57	62	62	67	72
65	T.C.	18.4	19.4	19.5	20.8	23.6	19.2	19.8	20.0	21.4	24.1	19.9	20.1	20.5	21.9	24.6
	S.C.	17.4	17.1	14.3	13.9	11.5	18.1	17.8	15.1	14.7	12.2	18.8	18.5	15.9	15.5	12.9
	K.W.	0.79	0.80	0.79	0.77	0.74	0.77	0.79	0.78	0.77	0.73	0.75	0.78	0.78	0.76	0.72
75	T.C.	17.8	18.6	18.6	19.8	22.4	18.5	19.0	19.0	20.3	22.9	19.1	19.4	19.4	20.8	23.3
	S.C.	16.8	16.6	13.9	13.4	11.0	17.4	17.4	14.6	14.2	11.7	18.1	18.1	15.4	14.9	12.3
	K.W.	0.96	0.96	0.96	0.93	0.90	0.94	0.95	0.95	0.92	0.89	0.93	0.94	0.94	0.92	0.88
85	T.C.	17.3	17.8	17.7	18.8	21.1	17.8	18.3	18.1	19.3	21.6	18.4	18.7	18.4	19.7	22.1
	S.C.	16.2	16.2	13.5	13.0	10.6	16.7	16.9	14.2	13.6	11.1	17.3	17.6	14.8	14.3	11.7
	K.W.	1.13	1.11	1.12	1.10	1.06	1.11	1.10	1.11	1.08	1.05	1.10	1.10	1.10	1.07	1.04
95	T.C.	16.7	17.1	16.9	17.8	19.9	17.2	17.6	17.1	18.2	20.4	17.7	18.1	17.4	18.5	20.8
	S.C.	15.6	15.7	13.1	12.6	10.1	16.0	16.5	13.7	13.1	10.6	16.5	17.2	14.3	13.6	11.1
	K.W.	1.29	1.27	1.28	1.26	1.21	1.28	1.26	1.27	1.24	1.20	1.28	1.25	1.27	1.22	1.20
105	T.C.	15.8	16.1	15.7	16.8	18.7	16.2	16.6	16.0	17.2	19.1	16.7	17.0	16.2	17.5	19.5
	S.C.	14.7	14.9	12.6	12.3	9.8	15.1	15.5	13.2	12.8	10.3	15.6	16.1	13.8	13.4	10.8
	K.W.	1.50	1.48	1.49	1.47	1.43	1.49	1.47	1.48	1.45	1.42	1.49	1.46	1.48	1.44	1.41
115	T.C.	14.9	15.2	14.6	15.9	17.5	15.3	15.6	14.9	16.2	17.9	15.8	16.0	15.1	16.4	18.3
	S.C.	13.8	14.1	12.2	12.0	9.4	14.2	14.6	12.8	12.6	9.9	14.7	15.1	13.3	13.2	10.4
	K.W.	1.70	1.68	1.69	1.67	1.63	1.70	1.67	1.68	1.66	1.63	1.69	1.66	1.68	1.65	1.63
125	T.C.	14.0	14.2	13.5	14.9	16.4	14.4	14.6	13.8	15.2	16.7	14.8	15.0	14.0	15.4	17.1
	S.C.	12.9	13.2	11.7	11.7	9.1	13.3	13.6	12.3	12.3	9.6	13.7	14.0	12.9	13.0	10.1
	K.W.	1.90	1.88	1.89	1.87	1.84	1.90	1.87	1.89	1.86	1.84	1.90	1.86	1.89	1.86	1.84

NOTE: ALL CAPACITIES INCLUDE INDOOR FAN HEAT. KW VALUES ARE FOR THE SYSTEM (OUTDOOR + INDOOR).

Multipliers for determining the performance with other indoor sections.

NOTE: For dry bulb temperatures different than those listed (between 73-87 °F), sensible capacity increases by 1060 BTUH per 1000 CFM per degree above the listed temperature and decreases by 1060 BTUH per 1000 CFM per degree below the listed temperature.

LOW CFM

Air Handler	Coil	T.C.	S.C.	KW
–	FC/MC/PC48	0.97	0.96	1.20
AHE24B	–	0.95	0.92	1.02
AHE30B	–	0.95	0.92	1.02
AHV24B	–	0.93	0.87	1.01
AHV30B	–	0.95	0.92	1.01
AHV36C	–	0.95	0.90	1.01
MV12B	FC/MC35B	0.99	0.99	1.04
MV12B	FC/MC43B	0.99	1.00	1.04
MV12D	FC/MC48D	1.00	1.00	1.00
MX12BN21	FC/MC35B	0.98	0.96	1.01

Continued on next page.

Furnaces	Coil	T.C.	S.C.	KW
T*(8,L)V*A12	FC/MC/PC32A	0.97	0.96	1.04
T*(8,L)V*A12	FC/MC/PC37A	0.98	0.96	1.04
T*(8,L)V*A12	HD36	0.95	0.93	1.04
T*(8,L)V*B12	FC/MC/PC35B	0.94	0.91	1.04
T*(8,L)V*B12	FC/MC/PC43B	0.95	0.92	1.05
T*(8,L)V*B12	HD36	0.92	0.87	1.04
T*(8,L)V*C16	FC/MC/PC35C	0.97	0.96	1.04
T*(8,L)V*C16	FC/MC/PC43C	1.01	1.03	1.04
T*(8,L)V*C16	HD36	0.95	0.94	1.02
T*9V*A10	FC/MC/PC32A	0.97	0.96	1.07
T*9V*A10	FC/MC/PC37A	0.97	0.96	1.07
T*9V*B12	FC/MC/PC35B	0.96	0.94	1.03
T*9V*B12	FC/MC/PC43B	0.98	0.96	1.01
T*9V*B12	HD36	0.95	0.93	1.04
T*9V*C16	FC/MC/PC35C	1.00	1.02	1.03
T*9V*C16	FC/MC/PC48C	1.01	1.02	1.01
T*9V*C16	UC48C	0.99	1.01	1.02
T*9V*C20	FC/MC/PC43C	1.00	1.02	1.01
T*9V*C20	FC/MC/PC48C	1.01	1.02	1.01
T*9V*C20	UC48C	0.99	1.00	1.02
TM8X060A12MP11	HD36	0.95	0.93	1.06
TM8X080B12MP11	HD36	0.97	0.96	1.00
TM8X080C16MP11	FC/MC/PC35C	0.99	1.01	1.06
TM8X080C16MP11	FC/MC/PC43C	1.00	1.01	1.05
TM8X080C16MP11	FC/MC/PC48C	1.00	1.01	1.04
TM8X080C16MP11	HD36	0.98	1.00	1.01
TM8X080C16MP11	UC48C	0.99	0.99	1.06
TM8X100C16MP11	FC/MC/PC35C	0.99	1.01	1.06
TM8X100C16MP11	FC/MC/PC43C	1.00	1.01	1.05
TM8X100C16MP11	FC/MC/PC48C	1.00	1.01	1.04
TM8X100C16MP11	HD36	0.98	1.00	1.01
TM8X100C16MP11	UC48C	0.99	0.99	1.06
TMLX060A12MP11	HD36	0.95	0.93	1.06
TMLX080B12MP11	HD36	0.97	0.96	1.00
TMLX080C16MP11	FC/MC/PC35C	0.99	1.01	1.06
TMLX080C16MP11	FC/MC/PC43C	1.00	1.01	1.05
TMLX080C16MP11	FC/MC/PC48C	1.00	1.01	1.04

Furnaces	Coil	T.C.	S.C.	KW
TMLX080C16MP11	HD36	0.98	1.00	1.01
TMLX080C16MP11	UC48C	0.99	0.99	1.06
TMLX100C16MP11	FC/MC/PC35C	0.99	1.01	1.06
TMLX100C16MP11	FC/MC/PC43C	1.00	1.01	1.05
TMLX100C16MP11	FC/MC/PC48C	1.00	1.01	1.04
TMLX100C16MP11	HD36	0.98	1.00	1.01
TMLX100C16MP11	UC48C	0.99	0.99	1.06
TM9E040A10MP11	FC/MC/PC32A	0.97	0.96	1.05
TM9E060B12MP11	HD36	0.95	0.94	1.01
TM9E080B12MP11	HD36	0.95	0.94	1.01
TM9E080C16MP11	HD36	0.98	0.99	1.02
TM9E100C16MP11	HD36	0.98	0.99	1.02
TM9E100C20MP11	HD36	1.00	1.08	1.05
TM9X040A10MP11	FC/MC/PC32A	0.97	0.96	1.05
TM9X060B12MP11	HD36	0.95	0.94	1.01
TM9X080B12MP11	HD36	0.95	0.94	1.01
TM9X080C16MP11	HD36	0.98	0.99	1.02
TM9X100C16MP11	HD36	0.98	0.99	1.02
TM9X100C20MP11	HD36	1.00	1.08	1.05
Y*LC*A12	FC/MC/PC32A	0.97	0.96	1.04
Y*LC*A12	FC/MC/PC37A	0.98	0.96	1.04
Y*LC*A12	HD36	0.95	0.93	1.04
Y*LC*B12	FC/MC/PC35B	0.94	0.91	1.04
Y*LC*B12	FC/MC/PC43B	0.95	0.92	1.05
Y*LC*B12	HD36	0.92	0.87	1.04
Y*LC*C16	FC/MC/PC35C	0.97	0.96	1.04
Y*LC*C16	FC/MC/PC43C	1.01	1.03	1.04
Y*LC*C16	HD36	0.95	0.94	1.02
Y*9C*B12	FC/MC/PC35B	0.96	0.94	1.03
Y*9C*B12	FC/MC/PC43B	0.98	0.96	1.01
Y*9C*B12	HD36	0.95	0.93	1.04
Y*9C*C16	FC/MC/PC35C	1.00	1.02	1.03
Y*9C*C16	FC/MC/PC48C	1.01	1.02	1.01
Y*9C*C16	UC48C	0.99	1.01	1.02
Y*9C*C20	FC/MC/PC43C	1.00	1.02	1.01
Y*9C*C20	FC/MC/PC48C	1.01	1.02	1.01
Y*9C*C20	UC48C	0.99	1.00	1.02

COOLING PERFORMANCE DATA - HIGH CFM 2-STAGE OPERATION																
OUTDOOR UNIT MODEL NO.		CZH02412C														
INDOOR COIL MODEL NO.		FC48D + MV12D														
AIR TEMP. ENTERING OUTDOOR UNIT (°F)	ID CFM	800					900					1000				
	ID DB (°F)	80	80	75	80	80	80	80	75	80	80	80	80	75	80	80
	ID WB (°F)	57	62	62	67	72	57	62	62	67	72	57	62	62	67	72
65	T.C.	23.4	25.0	25.3	26.9	30.3	24.9	25.6	25.8	27.6	30.8	26.3	26.2	26.4	28.2	31.4
	S.C.	21.9	21.2	18.5	17.4	15.0	23.1	22.4	19.3	18.7	15.6	24.4	23.6	20.1	20.1	16.3
	K.W.	1.16	1.14	1.14	1.16	1.18	1.15	1.14	1.13	1.16	1.17	1.14	1.16	1.13	1.17	1.17
75	T.C.	22.8	24.0	24.0	25.7	28.8	24.1	24.7	24.6	26.4	29.4	25.4	25.3	25.1	27.1	30.0
	S.C.	21.1	20.6	17.8	16.9	14.2	22.2	21.7	18.7	18.3	14.9	23.3	22.8	19.5	19.5	15.6
	K.W.	1.32	1.32	1.32	1.33	1.35	1.31	1.32	1.31	1.33	1.35	1.31	1.32	1.31	1.33	1.35
85	T.C.	22.2	23.0	22.8	24.5	27.3	23.4	23.7	23.4	25.2	27.9	24.5	24.4	23.9	25.9	28.6
	S.C.	20.4	20.0	17.1	16.5	13.5	21.3	21.0	18.1	17.8	14.2	22.3	22.1	19.0	19.0	15.0
	K.W.	1.47	1.50	1.50	1.50	1.53	1.47	1.49	1.49	1.49	1.52	1.48	1.49	1.49	1.50	1.52
95	T.C.	21.7	22.0	21.6	23.3	25.8	22.6	22.8	22.1	24.0	26.5	23.6	23.5	22.7	24.7	27.1
	S.C.	19.6	19.4	16.4	16.1	12.7	20.4	20.4	17.4	17.3	13.5	21.2	21.3	18.4	18.5	14.3
	K.W.	1.63	1.68	1.68	1.66	1.70	1.63	1.66	1.67	1.66	1.69	1.64	1.66	1.67	1.66	1.69
105	T.C.	20.9	21.1	20.5	22.2	24.5	21.8	21.8	21.1	22.8	25.1	22.8	22.6	21.6	23.3	25.8
	S.C.	18.9	19.0	16.2	15.9	12.4	19.7	19.8	17.2	17.1	13.3	20.5	20.6	18.2	18.2	14.1
	K.W.	1.90	1.94	1.93	1.93	1.95	1.90	1.92	1.92	1.92	1.95	1.92	1.92	1.93	1.92	1.95
115	T.C.	20.1	20.1	19.5	21.2	23.3	21.1	20.9	20.1	21.6	23.9	22.0	21.7	20.6	22.1	24.5
	S.C.	18.2	18.5	15.9	15.7	12.2	19.0	19.2	17.0	16.9	13.0	19.8	19.8	18.1	18.0	13.8
	K.W.	2.17	2.19	2.18	2.18	2.20	2.17	2.18	2.17	2.18	2.20	2.18	2.17	2.18	2.18	2.20
125	T.C.	19.4	19.2	18.5	20.1	22.0	20.3	20.0	19.0	20.4	22.6	21.2	20.8	19.6	20.8	23.1
	S.C.	17.5	18.1	15.7	15.5	11.9	18.3	18.6	16.8	16.7	12.8	19.1	19.1	17.9	17.8	13.6
	K.W.	2.44	2.45	2.42	2.44	2.45	2.43	2.43	2.42	2.43	2.45	2.44	2.43	2.43	2.44	2.45

NOTE: ALL CAPACITIES INCLUDE INDOOR FAN HEAT. KW VALUES ARE FOR THE SYSTEM (OUTDOOR + INDOOR).

Multipliers for determining the performance with other indoor sections.

NOTE: For dry bulb temperatures different than those listed (between 73-87 °F), sensible capacity increases by 1060 BTUH per 1000 CFM per degree above the listed temperature and decreases by 1060 BTUH per 1000 CFM per degree below the listed temperature.

HIGH CFM

Air Handlers	Coils	T.C.	S.C.	KW
-	FC/MC/PC48	0.96	0.91	1.13
AHE24B	-	0.96	0.92	1.03
AHE30B	-	0.96	0.92	1.03
AHV24B	-	0.94	0.87	1.01
AHV30B	-	0.96	0.92	1.03
AHV36C	-	0.97	0.92	1.02
MV12B	FC/MC35B	0.96	0.93	1.01
MV12B	FC/MC43B	0.98	0.95	1.03
MV12D	FC/MC48D	1.00	1.00	1.00
MX12BN21	FC/MC35B	0.95	0.91	1.02

Continued on next page.

Furnaces	Coils	T.C.	S.C.	KW
T*(8,L)V*A12	FC/MC/PC32A	0.95	0.91	1.02
T*(8,L)V*A12	FC/MC/PC37A	0.97	0.93	1.02
T*(8,L)V*A12	HD36	0.94	0.89	1.03
T*(8,L)V*B12	FC/MC/PC35B	0.96	0.91	1.03
T*(8,L)V*B12	FC/MC/PC43B	0.97	0.94	1.02
T*(8,L)V*B12	HD36	0.93	0.86	1.02
T*(8,L)V*C16	FC/MC/PC35C	0.96	0.91	1.01
T*(8,L)V*C16	FC/MC/PC43C	0.97	0.93	1.00
T*(8,L)V*C16	HD36	0.95	0.89	1.02
T*9V*A10	FC/MC/PC32A	0.94	0.90	1.07
T*9V*A10	FC/MC/PC37A	0.96	0.92	1.07
T*9V*B12	FC/MC/PC35B	0.96	0.93	1.03
T*9V*B12	FC/MC/PC43B	0.97	0.93	1.04
T*9V*B12	HD36	0.95	0.89	1.02
T*9V*C16	FC/MC/PC35C	0.98	0.98	1.05
T*9V*C16	FC/MC/PC48C	0.99	1.00	1.03
T*9V*C16	UC48C	0.98	0.98	1.03
T*9V*C20	FC/MC/PC43C	0.99	0.99	1.03
T*9V*C20	FC/MC/PC48C	0.99	1.00	1.03
T*9V*C20	UC48C	0.98	0.98	1.03
TM8X060A12MP11	HD36	0.95	0.89	1.02
TM8X080B12MP11	HD36	0.97	0.92	1.00
TM8X080C16MP11	FC/MC/PC35C	0.95	0.91	1.06
TM8X080C16MP11	FC/MC/PC43C	0.96	0.93	1.07
TM8X080C16MP11	FC/MC/PC48C	0.97	0.93	1.06
TM8X080C16MP11	HD36	0.97	0.92	1.00
TM8X080C16MP11	UC48C	0.95	0.91	1.06
TM8X100C16MP11	FC/MC/PC35C	0.95	0.91	1.06
TM8X100C16MP11	FC/MC/PC43C	0.96	0.93	1.07
TM8X100C16MP11	FC/MC/PC48C	0.97	0.93	1.06
TM8X100C16MP11	HD36	0.97	0.92	1.00
TM8X100C16MP11	UC48C	0.95	0.91	1.06
TMLX060A12MP11	HD36	0.95	0.89	1.02
TMLX080B12MP11	HD36	0.97	0.92	1.00
TMLX080C16MP11	FC/MC/PC35C	0.95	0.91	1.06
TMLX080C16MP11	FC/MC/PC43C	0.96	0.93	1.07
TMLX080C16MP11	FC/MC/PC48C	0.97	0.93	1.06
TMLX080C16MP11	HD36	0.97	0.92	1.00

Furnaces	Coils	T.C.	S.C.	KW
TMLX080C16MP11	UC48C	0.95	0.91	1.06
TMLX100C16MP11	FC/MC/PC35C	0.95	0.91	1.06
TMLX100C16MP11	FC/MC/PC43C	0.96	0.93	1.07
TMLX100C16MP11	FC/MC/PC48C	0.97	0.93	1.06
TMLX100C16MP11	HD36	0.97	0.92	1.00
TMLX100C16MP11	UC48C	0.95	0.91	1.06
TM9E040A10MP11	FC/MC/PC32A	0.93	0.90	1.08
TM9E060B12MP11	HD36	0.95	0.89	1.00
TM9E080B12MP11	HD36	0.95	0.89	1.00
TM9E080C16MP11	HD36	0.93	0.86	0.98
TM9E100C16MP11	HD36	0.93	0.86	0.98
TM9E100C20MP11	HD36	0.96	0.90	1.01
TM9X040A10MP11	FC/MC/PC32A	0.93	0.90	1.08
TM9X060B12MP11	HD36	0.95	0.89	1.00
TM9X080B12MP11	HD36	0.95	0.89	1.00
TM9X080C16MP11	HD36	0.93	0.86	0.98
TM9X100C16MP11	HD36	0.93	0.86	0.98
TM9X100C20MP11	HD36	0.96	0.90	1.01
Y*LC*A12	FC/MC/PC32A	0.95	0.91	1.02
Y*LC*A12	FC/MC/PC37A	0.97	0.93	1.02
Y*LC*A12	HD36	0.94	0.89	1.03
Y*LC*B12	FC/MC/PC35B	0.96	0.91	1.03
Y*LC*B12	FC/MC/PC43B	0.97	0.94	1.02
Y*LC*B12	HD36	0.93	0.86	1.02
Y*LC*C16	FC/MC/PC35C	0.96	0.91	1.01
Y*LC*C16	FC/MC/PC43C	0.97	0.93	1.00
Y*LC*C16	HD36	0.95	0.89	1.02
Y*9C*B12	FC/MC/PC35B	0.96	0.93	1.03
Y*9C*B12	FC/MC/PC43B	0.97	0.93	1.04
Y*9C*B12	HD36	0.95	0.89	1.02
Y*9C*C16	FC/MC/PC35C	0.98	0.98	1.05
Y*9C*C16	FC/MC/PC48C	0.99	1.00	1.03
Y*9C*C16	UC48C	0.98	0.98	1.03
Y*9C*C20	FC/MC/PC43C	0.99	0.99	1.03
Y*9C*C20	FC/MC/PC48C	0.99	1.00	1.03
Y*9C*C20	UC48C	0.98	0.98	1.03

COOLING PERFORMANCE DATA - LOW CFM 1-STAGE OPERATION																
OUTDOOR UNIT MODEL NO.		CZH03612C														
INDOOR COIL MODEL NO.		FC62D + MV12D														
AIR TEMP. ENTERING OUTDOOR UNIT (°F)	ID CFM	750					800					850				
	ID DB (°F)	80	80	75	80	80	80	80	75	80	80	80	80	75	80	80
	ID WB (°F)	57	62	62	67	72	57	62	62	67	72	57	62	62	67	72
65	T.C.	28.0	27.0	26.8	29.7	31.9	28.8	27.3	26.9	30.2	32.5	29.7	27.7	27.0	30.6	33.0
	S.C.	23.7	22.9	19.3	19.4	15.5	24.4	23.6	19.8	19.9	16.0	25.2	24.3	20.4	20.4	16.4
	K.W.	1.06	1.07	1.04	1.05	1.03	1.05	1.06	1.04	1.03	1.02	1.04	1.04	1.04	1.02	1.01
75	T.C.	26.4	25.7	25.6	28.4	30.8	27.2	26.1	25.9	28.8	31.3	28.0	26.5	26.1	29.3	31.8
	S.C.	22.8	21.9	18.6	18.8	15.0	23.5	22.7	19.2	19.4	15.5	24.2	23.5	19.8	19.9	16.0
	K.W.	1.30	1.30	1.29	1.28	1.26	1.29	1.29	1.29	1.27	1.24	1.28	1.28	1.28	1.26	1.23
85	T.C.	24.7	24.4	24.5	27.1	29.6	25.6	24.9	24.8	27.5	30.1	26.4	25.3	25.2	27.9	30.6
	S.C.	21.8	20.9	17.9	18.3	14.5	22.5	21.8	18.5	18.9	15.0	23.2	22.6	19.2	19.4	15.5
	K.W.	1.55	1.54	1.54	1.51	1.48	1.53	1.53	1.53	1.50	1.47	1.52	1.52	1.52	1.49	1.45
95	T.C.	23.1	23.1	23.3	25.8	28.5	23.9	23.7	23.8	26.2	28.9	24.8	24.2	24.3	26.6	29.4
	S.C.	20.9	20.0	17.2	17.7	14.0	21.6	20.8	17.9	18.3	14.5	22.2	21.7	18.6	19.0	15.0
	K.W.	1.79	1.78	1.79	1.74	1.71	1.77	1.76	1.78	1.74	1.69	1.75	1.75	1.77	1.73	1.67
105	T.C.	22.2	22.2	22.0	24.3	26.9	22.9	22.7	22.4	24.6	27.3	23.7	23.2	22.9	25.0	27.7
	S.C.	19.9	19.2	16.6	17.1	13.5	20.5	19.9	17.3	17.7	14.0	21.1	20.7	17.9	18.3	14.6
	K.W.	2.11	2.10	2.11	2.07	2.04	2.09	2.09	2.10	2.06	2.03	2.08	2.08	2.09	2.06	2.02
115	T.C.	21.2	21.2	20.7	22.8	25.3	21.9	21.8	21.1	23.1	25.6	22.6	22.3	21.5	23.4	26.0
	S.C.	19.0	18.4	16.1	16.5	13.0	19.5	19.1	16.7	17.1	13.5	20.0	19.7	17.3	17.6	14.1
	K.W.	2.42	2.42	2.42	2.38	2.37	2.40	2.40	2.41	2.38	2.36	2.39	2.39	2.40	2.37	2.35
125	T.C.	20.3	20.3	19.4	21.3	23.7	20.9	20.9	19.7	21.5	24.0	21.5	21.4	20.1	21.8	24.3
	S.C.	18.0	17.6	15.7	15.8	12.5	18.5	18.2	16.1	16.4	13.1	19.0	18.8	16.6	17.0	13.6
	K.W.	2.73	2.73	2.73	2.70	2.70	2.72	2.72	2.72	2.69	2.69	2.70	2.70	2.71	2.69	2.69

NOTE: ALL CAPACITIES INCLUDE INDOOR FAN HEAT. KW VALUES ARE FOR THE SYSTEM (OUTDOOR + INDOOR).

Multipliers for determining the performance with other indoor sections.

NOTE: For dry bulb temperatures different than those listed (between 73-87 °F), sensible capacity increases by 1060 BTUH per 1000 CFM per degree above the listed temperature and decreases by 1060 BTUH per 1000 CFM per degree below the listed temperature.

LOW CFM

Air Handlers	Coils	T.C.	S.C.	KW
-	FC/MC62	0.99	1.01	1.23
AHE36C	-	1.00	1.02	1.05
AHE42D	-	0.97	0.93	1.03
AHV36C	-	0.99	0.98	1.02
AHV42D	-	1.00	0.99	1.00
AHV48D	-	1.01	1.02	1.01
MV12B	FC/MC35B	0.97	0.95	1.07
MV12B	FC/MC43B	0.99	0.99	1.05
MV12D	FC/MC48D	1.00	0.99	1.02
MV12D	FC/MC60D	0.98	0.95	1.03
MV12D	FC/MC62D	1.00	1.00	1.00
MV12D	FC64D	1.02	1.02	1.00
MV16C	FC/MC35C	0.97	0.96	1.04

Air Handlers	Coils	T.C.	S.C.	KW
MV16C	FC/MC43C	0.98	0.97	1.06
MV16C	FC/MC48C	0.99	0.99	1.05
MV20D	FC/MC48D	1.01	1.03	1.03
MV20D	FC/MC60D	1.01	1.03	1.03
MV20D	FC/MC62D	1.01	1.03	1.03
MV20D	FC64D	1.04	1.07	1.02
MX12BN21	FC/MC35B	0.97	0.95	1.02
MX12BN21	FC/MC43B	0.99	0.97	1.01
MX12DN21	FC/MC48D	1.01	1.02	1.02
MX12DN21	FC/MC60D	1.01	1.02	1.02
MX12DN21	FC64D	1.05	1.08	1.01

Continued on next page.

Furnaces	Coils	T.C.	S.C.	KW
TM9E080B12MP11	HD48	0.99	0.96	1.03
TM9E080C16MP11	FC/MC/PC48D	0.99	0.99	1.02
TM9E080C16MP11	FC/MC62D	0.98	0.97	1.02
TM9E080C16MP11	FC64D	1.02	1.02	1.01
TM9E080C16MP11	HD48	0.96	0.91	1.01
TM9E080C16MP11	UC48D	0.96	0.94	1.05
TM9E100C16MP11	FC/MC/PC48D	0.99	0.99	1.02
TM9E100C16MP11	FC/MC62D	0.98	0.97	1.02
TM9E100C16MP11	FC64D	1.02	1.02	1.01
TM9E100C16MP11	HD48	0.96	0.91	1.01
TM9E100C16MP11	UC48D	0.96	0.94	1.05
TM9E100C20MP11	HD48	1.00	0.99	1.03
TM9E120D20MP11	HD48	1.00	1.01	1.02
TM9X060B12MP11	FC/MC/PC35B	0.96	0.94	1.05
TM9X060B12MP11	FC/MC/PC43B	0.97	0.95	1.04
TM9X060B12MP11	HD48	0.99	0.96	1.03
TM9X080B12MP11	FC/MC/PC35B	0.96	0.94	1.05
TM9X080B12MP11	FC/MC/PC43B	0.97	0.95	1.04
TM9X080B12MP11	HD48	0.99	0.96	1.03
TM9X080C16MP11	FC/MC/PC48D	0.99	0.99	1.02
TM9X080C16MP11	FC/MC62D	0.98	0.97	1.02
TM9X080C16MP11	FC64D	1.02	1.02	1.01
TM9X080C16MP11	HD48	0.96	0.91	1.01
TM9X080C16MP11	UC48D	0.96	0.94	1.05
TM9X100C16MP11	FC/MC/PC48D	0.99	0.99	1.02
TM9X100C16MP11	FC/MC62D	0.98	0.97	1.02
TM9X100C16MP11	FC64D	1.02	1.02	1.01
TM9X100C16MP11	HD48	0.96	0.91	1.01
TM9X100C16MP11	UC48D	0.96	0.94	1.05
TM9X100C20MP11	HD48	1.00	0.99	1.03
TM9X120D20MP11	HD48	1.00	1.01	1.02
Y*LC*A12	FC/MC/PC37A	0.97	0.94	1.09
Y*LC*B12	FC/MC/PC35B	0.97	0.95	1.08
Y*LC*B12	FC/MC/PC43B	1.00	1.02	1.10
Y*LC*B12	HD48	0.98	0.95	1.04
Y*LC*C16	FC/MC/PC35C	0.97	0.95	1.07
Y*LC*C16	FC/MC/PC43C	0.98	0.97	1.06
Y*LC*C16	FC/MC/PC48C	0.98	0.95	1.06

Furnaces	Coils	T.C.	S.C.	KW
Y*LC*C16	FC/PC60C	0.98	0.95	1.06
Y*LC*C16	HD48	1.00	0.99	1.04
Y*LC*C16	UC48C	0.97	0.97	1.05
Y*LC*C16	UC60C	0.99	0.98	1.04
Y*LC*C20	FC/MC/PC35C	1.01	1.08	1.09
Y*LC*C20	FC/MC/PC43C	0.97	0.95	1.05
Y*LC*C20	FC/MC/PC48C	0.97	0.94	1.04
Y*LC*C20	FC/PC60C	0.99	0.99	1.04
Y*LC*C20	HD48	0.97	0.94	1.03
Y*LC*C20	UC48C	0.94	0.92	1.05
Y*LC*C20	UC60C	0.99	0.98	1.04
Y*9C*B12	FC/MC/PC35B	0.97	0.95	1.09
Y*9C*B12	FC/MC/PC43B	0.99	1.00	1.08
Y*9C*B12	HD48	0.97	0.93	1.05
Y*9C*C16	FC/MC/PC35C	0.97	0.95	1.06
Y*9C*C16	FC/MC/PC43C	0.99	1.00	1.07
Y*9C*C16	FC/MC/PC48C	0.99	0.99	1.05
Y*9C*C16	FC/PC60C	0.99	0.99	1.06
Y*9C*C16	HD48	0.99	0.97	1.04
Y*9C*C16	UC48C	0.95	0.94	1.06
Y*9C*C16	UC60C	0.99	0.99	1.06
Y*9C*C20	FC/MC/PC35C	0.97	0.95	1.07
Y*9C*C20	FC/MC/PC43C	0.99	0.98	1.05
Y*9C*C20	FC/MC/PC48C	0.98	0.96	1.04
Y*9C*C20	FC/PC60C	0.99	0.97	1.04
Y*9C*C20	HD48	0.98	0.95	1.04
Y*9C*C20	UC48C	0.95	0.93	1.06
Y*9C*C20	UC60C	0.98	0.97	1.04
Y*9C*D20	FC/MC/PC48D	1.01	1.01	1.05
Y*9C*D20	FC/MC/PC60D	1.00	1.01	1.04
Y*9C*D20	FC/MC62D	1.01	1.02	1.05
Y*9C*D20	FC64D	1.03	1.05	1.03
Y*9C*D20	HD48	1.00	1.00	1.04
Y*9C*D20	UC48D	0.97	0.98	1.06
Y*9C*D20	UC60D	0.99	1.00	1.05

COOLING PERFORMANCE DATA - HIGH CFM 2-STAGE OPERATION																
OUTDOOR UNIT MODEL NO.		CZH03612C														
INDOOR COIL MODEL NO.		FC62D + MV12D														
AIR TEMP. ENTERING OUTDOOR UNIT (°F)	ID CFM	1125					1225					1325				
	ID DB (°F)	80	80	75	80	80	80	80	75	80	80	80	80	75	80	80
	ID WB (°F)	57	62	62	67	72	57	62	62	67	72	57	62	62	67	72
65	T.C.	38.6	36.6	36.0	40.4	43.2	40.0	37.4	36.6	41.1	43.9	41.3	38.2	37.3	41.9	44.7
	S.C.	33.3	31.1	26.4	26.4	20.9	34.5	32.3	27.7	27.6	21.6	35.7	33.5	29.0	28.7	22.2
	K.W.	1.65	1.67	1.67	1.69	1.71	1.67	1.68	1.68	1.70	1.73	1.70	1.70	1.70	1.72	1.75
75	T.C.	36.8	35.4	35.0	38.7	41.7	38.1	36.1	35.6	39.4	42.4	39.3	36.8	36.2	40.1	43.1
	S.C.	32.2	30.5	25.9	25.8	20.3	33.2	31.7	27.1	26.9	21.0	34.3	32.8	28.3	28.0	21.7
	K.W.	1.90	1.91	1.91	1.93	1.96	1.91	1.92	1.92	1.94	1.98	1.94	1.94	1.94	1.96	2.00
85	T.C.	35.0	34.1	34.0	37.0	40.1	36.2	34.8	34.6	37.7	40.8	37.3	35.4	35.2	38.4	41.5
	S.C.	31.0	30.0	25.4	25.1	19.8	32.0	31.1	26.6	26.2	20.5	32.9	32.2	27.6	27.4	21.2
	K.W.	2.14	2.15	2.15	2.18	2.22	2.16	2.16	2.16	2.19	2.22	2.19	2.18	2.18	2.21	2.24
95	T.C.	33.2	32.9	33.1	35.4	38.6	34.2	33.5	33.6	36.0	39.2	35.2	34.0	34.2	36.6	39.8
	S.C.	29.8	29.4	24.9	24.4	19.3	30.7	30.4	26.0	25.6	20.0	31.5	31.5	27.0	26.7	20.7
	K.W.	2.39	2.39	2.39	2.42	2.47	2.40	2.40	2.40	2.43	2.47	2.43	2.42	2.42	2.45	2.49
105	T.C.	31.7	31.5	31.1	33.5	36.5	32.6	32.2	31.7	34.0	37.0	33.5	32.8	32.3	34.6	37.5
	S.C.	28.3	27.9	24.0	23.7	18.6	29.1	28.8	25.0	24.8	19.3	29.9	29.7	26.0	25.9	20.0
	K.W.	2.77	2.76	2.75	2.78	2.84	2.78	2.77	2.76	2.80	2.85	2.80	2.79	2.78	2.83	2.86
115	T.C.	30.2	30.2	29.3	31.7	34.5	31.0	30.9	29.9	32.1	34.8	31.9	31.5	30.5	32.6	35.1
	S.C.	26.9	26.4	23.0	23.0	18.0	27.6	27.2	24.1	24.0	18.7	28.3	28.0	25.1	25.1	19.3
	K.W.	3.15	3.12	3.11	3.14	3.21	3.15	3.13	3.12	3.16	3.21	3.16	3.16	3.14	3.19	3.23
125	T.C.	28.6	28.9	27.4	29.8	32.4	29.4	29.6	28.1	30.2	32.6	30.2	30.3	28.7	30.6	32.8
	S.C.	25.5	24.9	22.1	22.3	17.4	26.1	25.7	23.2	23.3	18.0	26.8	26.3	24.3	24.3	18.7
	K.W.	3.53	3.48	3.47	3.49	3.57	3.52	3.50	3.47	3.52	3.58	3.52	3.52	3.49	3.56	3.59

NOTE: ALL CAPACITIES INCLUDE INDOOR FAN HEAT. KW VALUES ARE FOR THE SYSTEM (OUTDOOR + INDOOR).

Multipliers for determining the performance with other indoor sections.

NOTE: For dry bulb temperatures different than those listed (between 73-87 °F), sensible capacity increases by 1060 BTUH per 1000 CFM per degree above the listed temperature and decreases by 1060 BTUH per 1000 CFM per degree below the listed temperature.

HIGH CFM

Air Handlers	Coils	T.C.	S.C.	KW
-	FC/MC62	0.97	0.95	1.11
AHE36C	-	0.98	0.96	1.03
AHE42D	-	0.98	0.97	1.00
AHV36C	-	0.97	0.96	1.05
AHV42D	-	0.98	0.97	1.02
AHV48D	-	0.98	0.95	1.00
MV12B	FC/MC35B	0.96	0.93	1.05
MV12B	FC/MC43B	0.98	0.97	1.03
MV12D	FC/MC48D	0.98	0.96	1.00
MV12D	FC/MC60D	0.97	0.94	1.01
MV12D	FC/MC62D	1.00	1.00	1.00
MV12D	FC64D	1.01	1.00	1.00
MV16C	FC/MC35C	0.96	0.94	1.01

Air Handlers	Coils	T.C.	S.C.	KW
MV16C	FC/MC43C	0.97	0.96	1.03
MV16C	FC/MC48C	0.98	0.95	1.01
MV20D	FC/MC48D	1.00	1.01	1.02
MV20D	FC/MC60D	1.00	1.00	1.02
MV20D	FC/MC62D	1.01	1.02	1.03
MV20D	FC64D	1.03	1.06	1.03
MX12BN21	FC/MC35B	0.94	0.91	1.04
MX12BN21	FC/MC43B	0.96	0.92	1.03
MX12DN21	FC/MC48D	0.98	0.95	1.00
MX12DN21	FC/MC60D	0.98	0.95	1.00
MX12DN21	FC64D	1.01	1.02	1.00

Continued on next page.

Furnaces	Coils	T.C.	S.C.	KW
T*(8,L)V*A12	FC/MC/PC37A	0.96	0.92	1.07
T*(8,L)V*B12	FC/MC/PC35B	0.95	0.92	1.06
T*(8,L)V*B12	FC/MC/PC43B	0.97	0.97	1.11
T*(8,L)V*B12	HD48	0.98	0.95	1.06
T*(8,L)V*C16	FC/MC/PC35C	0.96	0.93	1.05
T*(8,L)V*C16	FC/MC/PC43C	0.97	0.95	1.03
T*(8,L)V*C16	FC/MC/PC48C	0.98	0.96	1.02
T*(8,L)V*C16	FC/PC60C	0.97	0.94	1.01
T*(8,L)V*C16	HD48	0.99	0.96	1.03
T*(8,L)V*C16	UC48C	0.97	0.94	1.02
T*(8,L)V*C16	UC60C	0.97	0.95	1.03
T*(8,L)V*C20	FC/MC/PC35C	0.95	0.92	1.04
T*(8,L)V*C20	FC/MC/PC43C	0.97	0.95	1.03
T*(8,L)V*C20	FC/MC/PC48C	0.98	0.95	1.01
T*(8,L)V*C20	FC/PC60C	0.98	0.97	1.02
T*(8,L)V*C20	HD48	0.98	0.95	1.02
T*(8,L)V*C20	UC48C	0.94	0.91	1.02
T*(8,L)V*C20	UC60C	0.97	0.95	1.03
T*9V*B12	FC/MC/PC35B	0.95	0.92	1.08
T*9V*B12	FC/MC/PC43B	0.96	0.95	1.07
T*9V*B12	HD48	0.97	0.92	1.07
T*9V*C16	FC/MC/PC35C	0.96	0.92	1.05
T*9V*C16	FC/MC/PC43C	0.97	0.97	1.07
T*9V*C16	FC/MC/PC48C	0.97	0.95	1.05
T*9V*C16	FC/PC60C	0.98	0.97	1.05
T*9V*C16	HD48	0.98	0.95	1.05
T*9V*C16	UC48C	0.94	0.90	1.03
T*9V*C16	UC60C	0.98	0.96	1.05
T*9V*C20	FC/MC/PC35C	0.97	0.97	1.08
T*9V*C20	FC/MC/PC43C	0.97	0.95	1.05
T*9V*C20	FC/MC/PC48C	0.99	1.01	1.07
T*9V*C20	FC/PC60C	0.99	1.00	1.06
T*9V*C20	HD48	1.00	0.99	1.08
T*9V*C20	UC48C	0.96	0.97	1.07
T*9V*C20	UC60C	0.99	1.00	1.06
T*9V*D20	FC/MC/PC48D	0.99	0.98	1.04
T*9V*D20	FC/MC/PC60D	0.98	0.97	1.04
T*9V*D20	FC/MC62D	0.99	0.99	1.03
T*9V*D20	FC64D	1.03	1.03	1.05
T*9V*D20	HD48	0.99	0.96	1.03
T*9V*D20	UC48D	0.96	0.94	1.03
T*9V*D20	UC60D	0.98	0.97	1.03
TM8X060A12MP11	FC/MC/PC37A	0.95	0.91	1.06
TM8X080B12MP11	FC/MC/PC35B	0.95	0.92	1.06
TM8X080B12MP11	FC/MC/PC43B	0.95	0.91	1.06
TM8X080B12MP11	HD48	0.98	0.95	1.02
TM8X080C16MP11	FC/MC/PC35C	0.95	0.91	1.02
TM8X080C16MP11	FC/MC/PC43C	0.96	0.92	1.03
TM8X080C16MP11	FC/MC/PC48C	0.98	0.95	1.03
TM8X080C16MP11	FC/MC/PC48D	0.98	0.95	1.03
TM8X080C16MP11	FC/MC/PC60D	0.98	0.95	1.03
TM8X080C16MP11	FC/MC62D	0.99	0.97	1.02
TM8X080C16MP11	FC/PC60C	0.98	0.95	1.03
TM8X080C16MP11	FC64D	1.01	1.00	1.03
TM8X080C16MP11	HD48	0.98	0.94	1.00
TM8X080C16MP11	UC48C	0.94	0.91	1.02
TM8X080C16MP11	UC48D	0.94	0.91	1.02
TM8X080C16MP11	UC60C	0.97	0.95	1.03
TM8X080C16MP11	UC60D	0.97	0.95	1.03
TM8X100C16MP11	FC/MC/PC35C	0.95	0.91	1.02
TM8X100C16MP11	FC/MC/PC43C	0.96	0.92	1.03
TM8X100C16MP11	FC/MC/PC48C	0.98	0.95	1.03
TM8X100C16MP11	FC/MC/PC48D	0.98	0.95	1.03
TM8X100C16MP11	FC/MC/PC60D	0.98	0.95	1.03
TM8X100C16MP11	FC/MC62D	0.99	0.97	1.02
TM8X100C16MP11	FC/PC60C	0.98	0.95	1.03
TM8X100C16MP11	FC64D	1.01	1.00	1.03
TM8X100C16MP11	HD48	0.98	0.94	1.00
TM8X100C16MP11	UC48C	0.94	0.91	1.02
TM8X100C16MP11	UC48D	0.94	0.91	1.02
TM8X100C16MP11	UC60C	0.97	0.95	1.03
TM8X100C16MP11	UC60D	0.97	0.95	1.03
TM8X100C20MP11	HD48	1.00	0.98	1.02
TM8X120C20MP11	HD48	1.00	0.98	1.02
TM9E060B12MP11	FC/MC/PC35B	0.94	0.90	1.07
TM9E060B12MP11	FC/MC/PC43B	0.95	0.91	1.06
TM9E060B12MP11	HD48	0.99	0.99	1.05
TM9E080B12MP11	FC/MC/PC35B	0.94	0.90	1.07
TM9E080B12MP11	FC/MC/PC43B	0.95	0.91	1.06

Furnaces	Coils	T.C.	S.C.	KW
TM8X080C16MP11	UC48D	0.94	0.91	1.02
TM8X080C16MP11	UC60C	0.97	0.95	1.03
TM8X080C16MP11	UC60D	0.97	0.95	1.03
TM8X100C16MP11	FC/MC/PC35C	0.95	0.91	1.02
TM8X100C16MP11	FC/MC/PC43C	0.96	0.92	1.03
TM8X100C16MP11	FC/MC/PC48C	0.98	0.95	1.03
TM8X100C16MP11	FC/MC/PC48D	0.98	0.95	1.03
TM8X100C16MP11	FC/MC/PC60D	0.98	0.95	1.03
TM8X100C16MP11	FC/MC62D	0.99	0.97	1.02
TM8X100C16MP11	FC/PC60C	0.98	0.95	1.03
TM8X100C16MP11	FC64D	1.01	1.00	1.03
TM8X100C16MP11	HD48	0.98	0.94	1.00
TM8X100C16MP11	UC48C	0.94	0.91	1.02
TM8X100C16MP11	UC48D	0.94	0.91	1.02
TM8X100C16MP11	UC60C	0.97	0.95	1.03
TM8X100C16MP11	UC60D	0.97	0.95	1.03
TM8X100C20MP11	HD48	1.00	0.98	1.02
TM8X120C20MP11	HD48	1.00	0.98	1.02
TMLX060A12MP11	FC/MC/PC37A	0.95	0.91	1.06
TMLX080B12MP11	FC/MC/PC35B	0.95	0.92	1.06
TMLX080B12MP11	FC/MC/PC43B	0.95	0.91	1.06
TMLX080B12MP11	HD48	0.98	0.95	1.02
TMLX080C16MP11	FC/MC/PC35C	0.95	0.91	1.02
TMLX080C16MP11	FC/MC/PC43C	0.96	0.92	1.03
TMLX080C16MP11	FC/MC/PC48C	0.98	0.95	1.03
TMLX080C16MP11	FC/MC/PC48D	0.98	0.95	1.03
TMLX080C16MP11	FC/MC/PC60D	0.98	0.95	1.03
TMLX080C16MP11	FC/MC62D	0.99	0.97	1.02
TMLX080C16MP11	FC/PC60C	0.98	0.95	1.03
TMLX080C16MP11	FC64D	1.01	1.00	1.03
TMLX080C16MP11	HD48	0.98	0.94	1.00
TMLX080C16MP11	UC48C	0.94	0.91	1.02
TMLX080C16MP11	UC48D	0.94	0.91	1.02
TMLX080C16MP11	UC60C	0.97	0.95	1.03
TMLX080C16MP11	UC60D	0.97	0.95	1.03
TMLX100C16MP11	FC/MC/PC35C	0.95	0.91	1.02
TMLX100C16MP11	FC/MC/PC43C	0.96	0.92	1.03
TMLX100C16MP11	FC/MC/PC48C	0.98	0.95	1.03
TMLX100C16MP11	FC/MC/PC48D	0.98	0.95	1.03
TMLX100C16MP11	FC/MC/PC60D	0.98	0.95	1.03
TMLX100C16MP11	FC/MC62D	0.99	0.97	1.02
TMLX100C16MP11	FC/PC60C	0.98	0.95	1.03
TMLX100C16MP11	FC64D	1.01	1.00	1.03
TMLX100C16MP11	HD48	0.98	0.94	1.00
TMLX100C16MP11	UC48C	0.94	0.91	1.02
TMLX100C16MP11	UC48D	0.94	0.91	1.02
TMLX100C16MP11	UC60C	0.97	0.95	1.03
TMLX100C16MP11	UC60D	0.97	0.95	1.03
TMLX100C20MP11	HD48	1.00	0.98	1.02
TMLX120C20MP11	HD48	1.00	0.98	1.02
TM9E060B12MP11	FC/MC/PC35B	0.94	0.90	1.07
TM9E060B12MP11	FC/MC/PC43B	0.95	0.91	1.06
TM9E060B12MP11	HD48	0.99	0.99	1.05
TM9E080B12MP11	FC/MC/PC35B	0.94	0.90	1.07
TM9E080B12MP11	FC/MC/PC43B	0.95	0.91	1.06

Continued on next page.

Furnaces	Coils	T.C.	S.C.	KW
TM9E080B12MP11	HD48	0.99	0.99	1.05
TM9E080C16MP11	FC/MC/PC48D	0.97	0.95	1.05
TM9E080C16MP11	FC/MC62D	0.98	0.96	1.04
TM9E080C16MP11	FC64D	1.01	0.99	1.05
TM9E080C16MP11	HD48	1.00	1.01	1.04
TM9E080C16MP11	UC48D	0.94	0.90	1.03
TM9E100C16MP11	FC/MC/PC48D	0.97	0.95	1.05
TM9E100C16MP11	FC/MC62D	0.98	0.96	1.04
TM9E100C16MP11	FC64D	1.01	0.99	1.05
TM9E100C16MP11	HD48	1.00	1.01	1.04
TM9E100C16MP11	UC48D	0.94	0.90	1.03
TM9E100C20MP11	HD48	1.00	0.98	1.02
TM9E120D20MP11	HD48	1.00	0.98	1.02
TM9X060B12MP11	FC/MC/PC35B	0.94	0.90	1.07
TM9X060B12MP11	FC/MC/PC43B	0.95	0.91	1.06
TM9X060B12MP11	HD48	0.99	0.99	1.05
TM9X080B12MP11	FC/MC/PC35B	0.94	0.90	1.07
TM9X080B12MP11	FC/MC/PC43B	0.95	0.91	1.06
TM9X080B12MP11	HD48	0.99	0.99	1.05
TM9X080C16MP11	FC/MC/PC48D	0.97	0.95	1.05
TM9X080C16MP11	FC/MC62D	0.98	0.96	1.04
TM9X080C16MP11	FC64D	1.01	0.99	1.05
TM9X080C16MP11	HD48	1.00	1.01	1.04
TM9X080C16MP11	UC48D	0.94	0.90	1.03
TM9X100C16MP11	FC/MC/PC48D	0.97	0.95	1.05
TM9X100C16MP11	FC/MC62D	0.98	0.96	1.04
TM9X100C16MP11	FC64D	1.01	0.99	1.05
TM9X100C16MP11	HD48	1.00	1.01	1.04
TM9X100C16MP11	UC48D	0.94	0.90	1.03
TM9X100C20MP11	HD48	1.00	0.98	1.02
TM9X120D20MP11	HD48	1.00	0.98	1.02
Y*LC*A12	FC/MC/PC37A	0.96	0.92	1.07
Y*LC*B12	FC/MC/PC35B	0.95	0.92	1.06
Y*LC*B12	FC/MC/PC43B	0.97	0.97	1.11
Y*LC*B12	HD48	0.98	0.95	1.06
Y*LC*C16	FC/MC/PC35C	0.96	0.93	1.05
Y*LC*C16	FC/MC/PC43C	0.97	0.95	1.03
Y*LC*C16	FC/MC/PC48C	0.98	0.96	1.02

Furnaces	Coils	T.C.	S.C.	KW
Y*LC*C16	FC/PC60C	0.97	0.94	1.01
Y*LC*C16	HD48	0.99	0.96	1.03
Y*LC*C16	UC48C	0.97	0.94	1.02
Y*LC*C16	UC60C	0.97	0.95	1.03
Y*LC*C20	FC/MC/PC35C	0.95	0.92	1.04
Y*LC*C20	FC/MC/PC43C	0.97	0.95	1.03
Y*LC*C20	FC/MC/PC48C	0.98	0.95	1.01
Y*LC*C20	FC/PC60C	0.98	0.97	1.02
Y*LC*C20	HD48	0.98	0.95	1.02
Y*LC*C20	UC48C	0.94	0.91	1.02
Y*LC*C20	UC60C	0.97	0.95	1.03
Y*9C*B12	FC/MC/PC35B	0.95	0.92	1.08
Y*9C*B12	FC/MC/PC43B	0.96	0.95	1.07
Y*9C*B12	HD48	0.97	0.92	1.07
Y*9C*C16	FC/MC/PC35C	0.96	0.92	1.05
Y*9C*C16	FC/MC/PC43C	0.97	0.97	1.07
Y*9C*C16	FC/MC/PC48C	0.97	0.95	1.05
Y*9C*C16	FC/PC60C	0.98	0.97	1.05
Y*9C*C16	HD48	0.98	0.95	1.05
Y*9C*C16	UC48C	0.94	0.90	1.03
Y*9C*C16	UC60C	0.98	0.96	1.05
Y*9C*C20	FC/MC/PC35C	0.97	0.97	1.08
Y*9C*C20	FC/MC/PC43C	0.97	0.95	1.05
Y*9C*C20	FC/MC/PC48C	0.99	1.01	1.07
Y*9C*C20	FC/PC60C	0.99	1.00	1.06
Y*9C*C20	HD48	1.00	0.99	1.08
Y*9C*C20	UC48C	0.96	0.97	1.07
Y*9C*C20	UC60C	0.99	1.00	1.06
Y*9C*D20	FC/MC/PC48D	0.99	0.98	1.04
Y*9C*D20	FC/MC/PC60D	0.98	0.97	1.04
Y*9C*D20	FC/MC62D	0.99	0.99	1.03
Y*9C*D20	FC64D	1.03	1.03	1.05
Y*9C*D20	HD48	0.99	0.96	1.03
Y*9C*D20	UC48D	0.96	0.94	1.03
Y*9C*D20	UC60D	0.98	0.97	1.03

COOLING PERFORMANCE DATA - LOW CFM 1-STAGE OPERATION																
OUTDOOR UNIT MODEL NO.		CZH04812C														
INDOOR COIL MODEL NO.		FC62D + MV20D														
AIR TEMP. ENTERING OUTDOOR UNIT (°F)	ID CFM	1075					1125					1175				
	ID DB (°F)	80	80	75	80	80	80	80	75	80	80	80	80	75	80	80
	ID WB (°F)	57	62	62	67	72	57	62	62	67	72	57	62	62	67	72
65	T.C.	35.5	36.2	36.6	40.5	43.4	36.1	37.0	37.1	40.6	43.9	36.8	37.8	37.5	40.7	44.3
	S.C.	33.2	30.0	25.8	25.6	20.7	33.8	31.0	26.4	26.3	21.1	34.3	32.0	27.0	27.0	21.5
	K.W.	1.47	1.46	1.47	1.42	1.39	1.46	1.46	1.46	1.42	1.38	1.46	1.46	1.46	1.42	1.38
75	T.C.	33.8	34.6	35.0	38.6	41.5	34.4	35.3	35.3	38.8	41.9	34.9	35.9	35.7	38.9	42.3
	S.C.	31.8	29.3	25.1	25.0	20.0	32.3	30.2	25.6	25.6	20.4	32.8	31.1	26.2	26.3	20.7
	K.W.	1.82	1.81	1.82	1.78	1.75	1.82	1.81	1.82	1.77	1.74	1.81	1.81	1.81	1.77	1.74
85	T.C.	32.1	33.1	33.4	36.7	39.6	32.6	33.6	33.6	36.9	39.9	33.1	34.1	33.8	37.2	40.3
	S.C.	30.3	28.7	24.4	24.3	19.3	30.8	29.4	24.9	24.9	19.6	31.2	30.2	25.4	25.5	20.0
	K.W.	2.18	2.17	2.18	2.14	2.11	2.17	2.16	2.17	2.13	2.10	2.16	2.16	2.16	2.13	2.10
95	T.C.	30.3	31.6	31.7	34.8	37.7	30.8	31.9	31.8	35.1	38.0	31.2	32.3	31.9	35.4	38.3
	S.C.	28.9	28.0	23.7	23.7	18.5	29.3	28.6	24.1	24.2	18.9	29.7	29.3	24.5	24.7	19.2
	K.W.	2.53	2.52	2.53	2.50	2.47	2.53	2.52	2.53	2.49	2.47	2.52	2.52	2.52	2.48	2.46
105	T.C.	28.9	29.6	29.5	32.5	35.2	29.3	29.9	29.6	32.8	35.5	29.7	30.2	29.7	33.0	35.7
	S.C.	27.2	26.7	22.6	22.7	17.7	27.7	27.2	23.1	23.2	18.0	28.1	27.7	23.5	23.7	18.3
	K.W.	3.02	3.00	3.00	2.97	2.95	3.01	3.00	3.00	2.96	2.94	3.00	2.99	2.99	2.96	2.94
115	T.C.	27.4	27.7	27.2	30.3	32.8	27.9	27.9	27.4	30.5	33.1	28.3	28.1	27.6	30.8	33.3
	S.C.	25.7	25.4	21.5	21.8	16.8	26.1	25.9	22.0	22.2	17.1	26.5	26.3	22.5	22.7	17.4
	K.W.	3.48	3.46	3.46	3.43	3.41	3.48	3.46	3.46	3.42	3.40	3.47	3.45	3.45	3.42	3.40
125	T.C.	26.0	25.9	25.0	28.0	30.4	26.4	25.9	25.3	28.3	30.6	26.9	26.0	25.5	28.5	30.8
	S.C.	24.1	24.2	20.5	20.8	15.9	24.5	24.5	21.0	21.2	16.2	24.9	24.8	21.5	21.6	16.6
	K.W.	3.95	3.93	3.92	3.89	3.87	3.94	3.92	3.91	3.88	3.87	3.94	3.91	3.91	3.88	3.86

NOTE: ALL CAPACITIES INCLUDE INDOOR FAN HEAT. KW VALUES ARE FOR THE SYSTEM (OUTDOOR + INDOOR).

Multipliers for determining the performance with other indoor sections.

NOTE: For dry bulb temperatures different than those listed (between 73-87 °F), sensible capacity increases by 1060 BTUH per 1000 CFM per degree above the listed temperature and decreases by 1060 BTUH per 1000 CFM per degree below the listed temperature.

LOW CFM

Air Handlers	Coils	T.C.	S.C.	KW
-	FC/MC62	0.99	0.99	1.19
AHE48D	-	0.96	0.92	1.02
AHE60D	-	1.00	1.01	1.03
AHV48D	-	0.98	0.95	1.00
AHV60D	-	0.98	0.95	1.01
MV16C	FC/MC48C	0.99	0.95	1.04
MV16C	FC60C	0.98	0.95	1.03
MV20D	FC/MC48D	0.99	0.95	1.03
MV20D	FC/MC60D	0.98	0.95	1.05
MV20D	FC/MC62D	1.00	1.00	1.00
MV20D	FC64D	1.03	1.02	0.99
MX16CN21	FC/MC48C	0.99	0.96	1.01
MX16CN21	FC60C	0.99	0.95	1.01

Continued on next page.

Furnaces	Coils	T.C.	S.C.	KW
TMLX100C20MP11	HD60	0.94	0.89	1.00
TMLX100C20MP11	UC48C	0.96	0.94	1.05
TMLX100C20MP11	UC48D	0.96	0.94	1.04
TMLX100C20MP11	UC60C	0.98	0.96	1.03
TMLX100C20MP11	UC60D	0.99	0.97	1.04
TMLX120C20MP11	FC/MC/PC48C	0.99	0.98	1.03
TMLX120C20MP11	FC/MC/PC48D	1.00	0.98	1.03
TMLX120C20MP11	FC/MC/PC60D	0.99	0.98	1.03
TMLX120C20MP11	FC/MC62D	1.00	0.99	1.04
TMLX120C20MP11	FC/PC60C	0.98	0.95	1.04
TMLX120C20MP11	HD60	0.94	0.89	1.00
TMLX120C20MP11	UC48C	0.96	0.94	1.05
TMLX120C20MP11	UC48D	0.96	0.94	1.04
TMLX120C20MP11	UC60C	0.98	0.96	1.03
TMLX120C20MP11	UC60D	0.99	0.97	1.04
TM9E080C16MP11	HD60	1.00	1.00	1.03
TM9E100C16MP11	HD60	1.00	1.00	1.03
TM9E100C20MP11	FC/MC/PC48C	0.96	0.92	1.03
TM9E100C20MP11	FC/MC/PC48D	0.96	0.92	1.02
TM9E100C20MP11	FC/MC/PC60D	0.96	0.92	1.02
TM9E100C20MP11	FC/MC62D	0.98	0.94	1.02
TM9E100C20MP11	FC64D	1.00	0.98	1.00
TM9E100C20MP11	HD60	1.03	1.02	1.06
TM9E100C20MP11	UC48D	0.94	0.89	1.04
TM9E100C20MP11	UC60D	0.96	0.92	1.03
TM9E120D20MP11	FC/MC/PC48D	0.96	0.93	1.02
TM9E120D20MP11	FC/MC/PC60D	0.98	0.93	1.02
TM9E120D20MP11	FC/MC62D	0.98	0.94	1.02
TM9E120D20MP11	FC64D	1.00	0.97	1.00
TM9E120D20MP11	HD60	1.03	1.05	1.06
TM9E120D20MP11	UC48D	0.93	0.89	1.03
TM9E120D20MP11	UC60D	0.98	0.94	1.02
TM9X080C16MP11	HD60	1.00	1.00	1.03
TM9X100C16MP11	HD60	1.00	1.00	1.03
TM9X100C20MP11	FC/MC/PC48C	0.96	0.92	1.03
TM9X100C20MP11	FC/MC/PC48D	0.96	0.92	1.02
TM9X100C20MP11	FC/MC/PC60D	0.96	0.92	1.02
TM9X100C20MP11	FC/MC62D	0.98	0.94	1.02
TM9X100C20MP11	FC64D	1.00	0.98	1.00
TM9X100C20MP11	HD60	1.03	1.02	1.06
TM9X100C20MP11	UC48C	0.93	0.89	1.04
TM9X100C20MP11	UC48D	0.94	0.89	1.04
TM9X100C20MP11	UC60D	0.96	0.92	1.03
TM9X120D20MP11	FC/MC/PC48D	0.96	0.93	1.02
TM9X120D20MP11	FC/MC/PC60D	0.98	0.93	1.02
TM9X120D20MP11	FC/MC62D	0.98	0.94	1.02
TM9X120D20MP11	FC64D	1.00	0.97	1.00

Furnaces	Coils	T.C.	S.C.	KW
TM9X120D20MP11	HD60	1.03	1.05	1.06
TM9X120D20MP11	UC48D	0.93	0.89	1.03
TM9X120D20MP11	UC60D	0.98	0.94	1.02
Y*LC*C16	FC/MC/PC48C	1.00	0.98	1.07
Y*LC*C16	FC/MC/PC48D	1.00	0.98	1.07
Y*LC*C16	FC/MC/PC60D	0.98	0.95	1.05
Y*LC*C16	FC/MC62D	0.98	0.95	1.04
Y*LC*C16	FC/PC60C	0.98	0.95	1.05
Y*LC*C16	FC64D	1.01	1.02	1.02
Y*LC*C16	HD60	0.99	0.97	1.04
Y*LC*C16	UC48C	0.95	0.92	1.06
Y*LC*C16	UC60C	0.98	0.94	1.05
Y*LC*C20	FC/MC/PC48C	0.98	0.95	1.04
Y*LC*C20	FC/MC/PC48D	0.98	0.95	1.04
Y*LC*C20	FC/MC/PC60D	0.98	0.95	1.05
Y*LC*C20	FC/MC62D	0.99	0.97	1.04
Y*LC*C20	FC/PC60C	0.98	0.95	1.05
Y*LC*C20	FC64D	1.01	1.02	1.02
Y*LC*C20	HD60	0.99	0.96	1.03
Y*LC*C20	UC48C	0.96	0.94	1.08
Y*LC*C20	UC60C	0.96	0.94	1.03
Y*9C*C16	FC/MC/PC48C	0.98	0.95	1.05
Y*9C*C16	FC/MC/PC48D	0.98	0.95	1.05
Y*9C*C16	FC/MC/PC60D	0.98	0.95	1.07
Y*9C*C16	FC/MC62D	0.98	0.95	1.05
Y*9C*C16	FC/PC60C	0.98	0.95	1.07
Y*9C*C16	FC64D	1.01	1.02	1.03
Y*9C*C16	HD60	0.99	0.97	1.06
Y*9C*C16	UC60C	0.96	0.93	1.07
Y*9C*C20	FC/MC/PC48C	0.98	0.95	1.05
Y*9C*C20	FC/MC/PC48D	0.98	0.95	1.05
Y*9C*C20	FC/MC/PC60D	0.98	0.95	1.05
Y*9C*C20	FC/MC62D	0.98	0.95	1.04
Y*9C*C20	FC/PC60C	0.98	0.95	1.05
Y*9C*C20	FC64D	1.01	1.02	1.03
Y*9C*C20	HD60	0.99	0.97	1.04
Y*9C*C20	UC48C	0.95	0.92	1.07
Y*9C*C20	UC60C	0.96	0.95	1.05
Y*9C*D20	FC/MC/PC48D	0.98	0.95	1.05
Y*9C*D20	FC/MC/PC60D	0.98	0.95	1.05
Y*9C*D20	FC/MC62D	0.99	0.97	1.06
Y*9C*D20	FC64D	1.01	1.02	1.05
Y*9C*D20	HD60	1.00	1.00	1.04
Y*9C*D20	UC48D	0.95	0.92	1.07
Y*9C*D20	UC60D	0.98	0.95	1.07

COOLING PERFORMANCE DATA - HIGH CFM 2-STAGE OPERATION																
OUTDOOR UNIT MODEL NO.		CZH04812C														
INDOOR COIL MODEL NO.		FC62D + MV20D														
AIR TEMP. ENTERING OUTDOOR UNIT (°F)	ID CFM	1600					1700					1800				
	ID DB (°F)	80	80	75	80	80	80	80	75	80	80	80	80	75	80	80
	ID WB (°F)	57	62	62	67	72	57	62	62	67	72	57	62	62	67	72
65	T.C.	47.1	48.4	49.2	52.7	57.2	47.9	49.2	49.5	53.2	57.6	48.7	50.0	49.8	53.7	58.0
	S.C.	45.8	41.9	35.3	35.1	28.0	46.7	42.9	36.2	35.9	28.2	47.6	43.9	37.1	36.7	28.4
	K.W.	2.42	2.43	2.44	2.48	2.53	2.46	2.47	2.48	2.52	2.58	2.51	2.51	2.52	2.58	2.63
75	T.C.	45.5	46.9	47.3	50.7	54.9	46.2	47.6	47.5	51.1	55.3	46.9	48.3	47.8	51.6	55.7
	S.C.	44.1	41.2	34.4	34.3	27.1	45.0	42.1	35.3	35.1	27.4	45.8	43.1	36.2	35.9	27.7
	K.W.	2.82	2.82	2.83	2.87	2.93	2.86	2.86	2.87	2.91	2.97	2.92	2.90	2.92	2.96	3.02
85	T.C.	43.8	45.4	45.4	48.6	52.6	44.5	46.0	45.6	49.1	53.0	45.2	46.6	45.8	49.5	53.4
	S.C.	42.5	40.4	33.6	33.4	26.2	43.2	41.3	34.5	34.2	26.6	44.0	42.3	35.4	35.0	27.0
	K.W.	3.22	3.21	3.22	3.26	3.32	3.27	3.25	3.26	3.30	3.36	3.32	3.29	3.31	3.35	3.42
95	T.C.	42.2	43.8	43.5	46.6	50.3	42.8	44.4	43.6	47.0	50.7	43.4	44.8	43.7	47.4	51.0
	S.C.	40.8	39.7	32.7	32.6	25.3	41.5	40.6	33.6	33.4	25.8	42.2	41.4	34.5	34.2	26.3
	K.W.	3.62	3.60	3.61	3.65	3.72	3.67	3.64	3.65	3.69	3.76	3.72	3.69	3.70	3.73	3.81
105	T.C.	40.5	41.2	41.0	43.9	47.4	41.1	41.5	41.1	44.2	47.7	41.7	41.9	41.1	44.5	48.1
	S.C.	38.8	38.0	31.8	31.4	24.2	39.4	38.7	32.5	32.1	24.6	40.0	39.5	33.1	32.9	25.1
	K.W.	4.21	4.17	4.18	4.22	4.29	4.25	4.21	4.22	4.25	4.32	4.30	4.26	4.27	4.30	4.37
115	T.C.	38.9	38.5	38.7	41.3	44.6	39.5	38.8	38.7	41.5	44.9	40.1	39.0	38.6	41.8	45.2
	S.C.	36.9	36.4	30.9	30.2	23.1	37.4	37.0	31.4	31.0	23.5	37.9	37.5	31.8	31.7	23.9
	K.W.	4.78	4.73	4.74	4.77	4.84	4.81	4.77	4.78	4.80	4.87	4.86	4.82	4.83	4.85	4.91
125	T.C.	37.3	35.9	36.3	38.7	41.8	37.9	36.1	36.2	38.8	42.0	38.5	36.2	36.1	39.0	42.3
	S.C.	35.0	34.8	30.0	29.0	22.0	35.4	35.2	30.2	29.8	22.4	35.9	35.6	30.4	30.5	22.7
	K.W.	5.34	5.28	5.30	5.32	5.39	5.38	5.33	5.34	5.35	5.42	5.42	5.38	5.39	5.39	5.45

NOTE: ALL CAPACITIES INCLUDE INDOOR FAN HEAT. KW VALUES ARE FOR THE SYSTEM (OUTDOOR + INDOOR).

Multipliers for determining the performance with other indoor sections.

NOTE: For dry bulb temperatures different than those listed (between 73-87 °F), sensible capacity increases by 1060 BTUH per 1000 CFM per degree above the listed temperature and decreases by 1060 BTUH per 1000 CFM per degree below the listed temperature.

HIGH CFM

Air Handlers	Coils	T.C.	S.C.	KW
-	FC/MC62	0.97	0.93	1.05
AHE48D	-	0.97	0.93	0.99
AHE60D	-	0.98	0.95	0.98
AHV48D	-	0.97	0.92	1.01
AHV60D	-	0.98	0.94	1.02
MV16C	FC/MC48C	0.97	0.95	1.01
MV16C	FC60C	0.97	0.93	1.01
MV20D	FC/MC48D	0.98	0.95	1.00
MV20D	FC/MC60D	0.97	0.93	1.01
MV20D	FC/MC62D	1.00	1.00	1.00
MV20D	FC64D	1.01	1.00	1.01
MX16CN21	FC/MC48C	0.97	0.94	1.01
MX16CN21	FC60C	0.97	0.93	1.01

Continued on next page.

Furnaces	Coils	T.C.	S.C.	KW
TMLX100C20MP11	HD60	0.99	0.97	1.01
TMLX100C20MP11	UC48C	0.96	0.91	1.04
TMLX100C20MP11	UC48D	0.96	0.91	1.04
TMLX100C20MP11	UC60C	0.96	0.90	1.02
TMLX100C20MP11	UC60D	0.96	0.92	1.02
TMLX120C20MP11	FC/MC/PC48C	0.96	0.92	1.02
TMLX120C20MP11	FC/MC/PC48D	0.97	0.92	1.03
TMLX120C20MP11	FC/MC/PC60D	0.96	0.92	1.02
TMLX120C20MP11	FC/MC62D	0.98	0.93	1.02
TMLX120C20MP11	FC/PC60C	0.97	0.93	1.03
TMLX120C20MP11	HD60	0.99	0.97	1.01
TMLX120C20MP11	UC48C	0.96	0.91	1.04
TMLX120C20MP11	UC48D	0.96	0.91	1.04
TMLX120C20MP11	UC60C	0.96	0.90	1.02
TMLX120C20MP11	UC60D	0.96	0.92	1.02
TM9E080C16MP11	HD60	0.99	0.95	1.03
TM9E100C16MP11	HD60	0.99	0.95	1.03
TM9E100C20MP11	FC/MC/PC48C	0.96	0.91	1.06
TM9E100C20MP11	FC/MC/PC48D	0.96	0.90	1.04
TM9E100C20MP11	FC/MC/PC60D	0.96	0.90	1.04
TM9E100C20MP11	FC/MC62D	0.97	0.93	1.03
TM9E100C20MP11	FC64D	1.00	0.96	1.04
TM9E100C20MP11	HD60	0.99	0.95	1.01
TM9E100C20MP11	UC48D	0.96	0.90	1.06
TM9E100C20MP11	UC60D	0.96	0.90	1.04
TM9E120D20MP11	FC/MC/PC48D	0.96	0.91	1.02
TM9E120D20MP11	FC/MC/PC60D	0.96	0.90	1.02
TM9E120D20MP11	FC/MC62D	0.97	0.93	1.03
TM9E120D20MP11	FC64D	0.99	0.95	1.03
TM9E120D20MP11	HD60	0.99	0.96	1.01
TM9E120D20MP11	UC48D	0.96	0.90	1.06
TM9E120D20MP11	UC60D	0.96	0.91	1.04
TM9X080C16MP11	HD60	0.99	0.95	1.03
TM9X100C16MP11	HD60	0.99	0.95	1.03
TM9X100C20MP11	FC/MC/PC48C	0.95	0.90	1.05
TM9X100C20MP11	FC/MC/PC48D	0.96	0.90	1.04
TM9X100C20MP11	FC/MC/PC60D	0.95	0.89	1.03
TM9X100C20MP11	FC/MC62D	0.97	0.93	1.03
TM9X100C20MP11	FC64D	1.00	0.96	1.04
TM9X100C20MP11	HD60	0.99	0.95	1.01
TM9X100C20MP11	UC48C	0.93	0.86	1.05
TM9X100C20MP11	UC48D	0.93	0.87	1.02
TM9X100C20MP11	UC60D	0.95	0.89	1.03
TM9X120D20MP11	FC/MC/PC48D	0.96	0.91	1.02
TM9X120D20MP11	FC/MC/PC60D	0.96	0.90	1.02
TM9X120D20MP11	FC/MC62D	0.97	0.93	1.03
TM9X120D20MP11	FC64D	0.99	0.95	1.03

Furnaces	Coils	T.C.	S.C.	KW
TM9X120D20MP11	HD60	0.99	0.96	1.01
TM9X120D20MP11	UC48D	0.93	0.87	1.02
TM9X120D20MP11	UC60D	0.95	0.90	1.03
Y*LC*C16	FC/MC/PC48C	0.96	0.91	1.06
Y*LC*C16	FC/MC/PC48D	0.96	0.91	1.06
Y*LC*C16	FC/MC/PC60D	0.96	0.93	1.04
Y*LC*C16	FC/MC62D	0.98	0.95	1.04
Y*LC*C16	FC/PC60C	0.96	0.93	1.04
Y*LC*C16	FC64D	1.00	0.99	1.02
Y*LC*C16	HD60	0.98	0.95	1.02
Y*LC*C16	UC48C	0.96	0.91	1.06
Y*LC*C16	UC60C	0.96	0.92	1.04
Y*LC*C20	FC/MC/PC48C	0.97	0.94	1.03
Y*LC*C20	FC/MC/PC48D	0.97	0.94	1.03
Y*LC*C20	FC/MC/PC60D	0.96	0.93	1.02
Y*LC*C20	FC/MC62D	0.98	0.95	1.02
Y*LC*C20	FC/PC60C	0.96	0.93	1.02
Y*LC*C20	FC64D	1.01	0.99	1.03
Y*LC*C20	HD60	0.99	0.95	1.03
Y*LC*C20	UC48C	0.96	0.91	1.04
Y*LC*C20	UC60C	0.97	0.93	1.01
Y*9C*C16	FC/MC/PC48C	0.97	0.93	1.05
Y*9C*C16	FC/MC/PC48D	0.97	0.93	1.05
Y*9C*C16	FC/MC/PC60D	0.96	0.93	1.04
Y*9C*C16	FC/MC62D	0.98	0.94	1.04
Y*9C*C16	FC/PC60C	0.96	0.93	1.04
Y*9C*C16	FC64D	1.00	0.99	1.04
Y*9C*C16	HD60	0.98	0.93	1.04
Y*9C*C16	UC60C	0.96	0.90	1.06
Y*9C*C20	FC/MC/PC48C	0.97	0.93	1.05
Y*9C*C20	FC/MC/PC48D	0.97	0.93	1.05
Y*9C*C20	FC/MC/PC60D	0.96	0.93	1.04
Y*9C*C20	FC/MC62D	0.98	0.95	1.06
Y*9C*C20	FC/PC60C	0.96	0.93	1.04
Y*9C*C20	FC64D	1.00	0.99	1.06
Y*9C*C20	HD60	0.98	0.95	1.04
Y*9C*C20	UC48C	0.96	0.92	1.06
Y*9C*C20	UC60C	0.96	0.93	1.04
Y*9C*D20	FC/MC/PC48D	0.97	0.93	1.05
Y*9C*D20	FC/MC/PC60D	0.96	0.93	1.04
Y*9C*D20	FC/MC62D	0.98	0.95	1.04
Y*9C*D20	FC64D	1.00	0.99	1.04
Y*9C*D20	HD60	0.98	0.94	1.04
Y*9C*D20	UC48D	0.96	0.92	1.06
Y*9C*D20	UC60D	0.96	0.92	1.04

COOLING PERFORMANCE DATA - LOW CFM 1-STAGE OPERATION																
OUTDOOR UNIT MODEL NO.		CZH06012C														
INDOOR COIL MODEL NO.		FC62D + MV20D														
AIR TEMP. ENTERING OUTDOOR UNIT (°F)	ID CFM	1200					1250					1300				
	ID DB (°F)	80	80	75	80	80	80	80	75	80	80	80	80	75	80	80
	ID WB (°F)	57	62	62	67	72	57	62	62	67	72	57	62	62	67	72
65	T.C.	42.3	43.2	42.1	47.3	52.4	42.7	43.2	42.6	47.6	53.0	43.2	43.3	43.0	47.9	53.5
	S.C.	40.9	35.8	28.8	28.9	25.2	41.4	36.6	29.5	29.2	25.7	41.8	37.3	30.1	29.4	26.1
	K.W.	1.95	1.97	1.96	1.93	1.88	1.95	1.96	1.96	1.93	1.87	1.96	1.95	1.95	1.92	1.87
75	T.C.	41.1	41.6	40.6	45.4	50.2	41.6	42.0	41.0	45.8	50.7	42.1	42.4	41.4	46.1	51.1
	S.C.	39.7	35.7	28.3	28.9	24.4	40.1	36.5	29.0	29.3	24.9	40.6	37.3	29.6	29.7	25.3
	K.W.	2.37	2.38	2.38	2.35	2.31	2.37	2.37	2.37	2.35	2.30	2.37	2.37	2.37	2.35	2.30
85	T.C.	39.9	40.1	39.1	43.6	48.0	40.4	40.8	39.4	44.0	48.4	41.0	41.4	39.8	44.3	48.8
	S.C.	38.4	35.6	27.8	28.9	23.6	38.9	36.5	28.4	29.4	24.0	39.4	37.2	29.0	29.9	24.5
	K.W.	2.78	2.79	2.80	2.78	2.74	2.78	2.79	2.79	2.77	2.74	2.78	2.79	2.79	2.77	2.74
95	T.C.	38.7	38.6	37.5	41.8	45.7	39.3	39.5	37.9	42.2	46.1	39.9	40.5	38.2	42.6	46.5
	S.C.	37.1	35.6	27.3	28.9	22.9	37.7	36.4	27.9	29.5	23.2	38.3	37.2	28.5	30.2	23.6
	K.W.	3.20	3.20	3.21	3.20	3.17	3.20	3.20	3.21	3.20	3.17	3.19	3.21	3.21	3.19	3.17
105	T.C.	36.1	36.2	34.9	39.0	42.7	36.7	36.9	35.3	39.4	43.1	37.2	37.7	35.6	39.7	43.4
	S.C.	35.0	34.0	26.2	27.8	21.8	35.5	34.6	26.8	28.4	22.2	35.9	35.3	27.4	28.9	22.5
	K.W.	3.78	3.79	3.79	3.77	3.74	3.78	3.79	3.78	3.76	3.74	3.77	3.79	3.78	3.76	3.74
115	T.C.	33.6	33.8	32.4	36.3	39.8	34.2	34.4	32.8	36.6	40.1	34.7	35.0	33.1	37.0	40.4
	S.C.	32.9	32.4	25.1	26.7	20.8	33.3	32.9	25.7	27.2	21.1	33.7	33.5	26.3	27.7	21.5
	K.W.	4.34	4.35	4.35	4.31	4.29	4.34	4.35	4.34	4.31	4.29	4.34	4.36	4.34	4.31	4.29
125	T.C.	31.1	31.4	29.9	33.6	36.9	31.6	31.9	30.2	33.9	37.1	32.1	32.3	30.6	34.2	37.4
	S.C.	30.8	30.9	23.9	25.6	19.7	31.1	31.2	24.6	26.1	20.1	31.4	31.6	25.2	26.6	20.4
	K.W.	4.91	4.92	4.91	4.86	4.85	4.90	4.92	4.90	4.86	4.84	4.90	4.92	4.90	4.86	4.84

NOTE: ALL CAPACITIES INCLUDE INDOOR FAN HEAT. KW VALUES ARE FOR THE SYSTEM (OUTDOOR + INDOOR).

Multipliers for determining the performance with other indoor sections.

NOTE: For dry bulb temperatures different than those listed (between 73-87 °F), sensible capacity increases by 1060 BTUH per 1000 CFM per degree above the listed temperature and decreases by 1060 BTUH per 1000 CFM per degree below the listed temperature.

LOW CFM

Air Handlers	Coils	T.C.	S.C.	KW
-	FC64	1.01	1.03	1.13
AHE60D	-	0.98	0.96	1.01
AHV60D	-	0.97	0.94	1.00
MV20D	FC/MC60D	0.98	0.94	1.01
MV20D	FC/MC62D	1.00	1.00	1.00
MV20D	FC64D	1.02	0.99	1.00

Continued on next page.

Furnaces	Coils	T.C.	S.C.	KW
T*(8,L)V*C16	FC/PC60C	0.95	0.89	1.02
T*(8,L)V*C20	FC/MC/PC60D	0.96	0.91	1.02
T*(8,L)V*C20	FC/MC62D	0.95	0.91	1.03
T*(8,L)V*C20	FC/PC60C	0.96	0.91	1.02
T*(8,L)V*C20	FC64D	0.99	0.95	1.01
T*(8,L)V*C20	HD60	0.95	0.91	1.01
T*(8,L)V*C20	UC60C	0.94	0.89	1.01
T*9V*C20	FC/MC/PC60D	0.96	0.91	1.03
T*9V*C20	FC/MC62D	0.95	0.91	1.02
T*9V*C20	FC/PC60C	0.96	0.91	1.03
T*9V*C20	FC64D	0.99	0.94	1.03
T*9V*C20	HD60	0.96	0.93	1.03
T*9V*C20	UC60C	0.95	0.90	1.03
T*9V*D20	FC/MC/PC60D	0.96	0.91	1.03
T*9V*D20	FC/MC62D	0.97	0.93	1.04
T*9V*D20	FC64D	1.00	0.96	1.02
T*9V*D20	HD60	0.96	0.93	1.03
T*9V*D20	UC60D	0.95	0.91	1.03
TM8X080C16MP11	FC/MC/PC60D	0.96	0.91	1.01
TM8X080C16MP11	FC/MC62D	0.96	0.92	1.01
TM8X080C16MP11	FC64D	0.99	0.95	0.99
TM8X100C16MP11	FC/MC/PC60D	0.96	0.91	1.01
TM8X100C16MP11	FC/MC62D	0.96	0.92	1.01
TM8X100C16MP11	FC64D	0.99	0.95	0.99
TM8X100C20MP11	FC/MC/PC60D	0.97	0.93	1.02
TM8X100C20MP11	FC/MC62D	0.97	0.94	1.02
TM8X100C20MP11	FC/PC60C	0.97	0.92	1.02
TM8X100C20MP11	HD60	1.00	1.00	1.02
TM8X100C20MP11	UC60C	0.96	0.91	1.02
TM8X100C20MP11	UC60D	0.96	0.93	1.01
TM8X120C20MP11	FC/MC/PC60D	0.97	0.93	1.02
TM8X120C20MP11	FC/MC62D	0.97	0.94	1.02
TM8X120C20MP11	FC/PC60C	0.97	0.92	1.02
TM8X120C20MP11	HD60	1.00	1.00	1.02
TM8X120C20MP11	UC60C	0.96	0.91	1.02
TM8X120C20MP11	UC60D	0.96	0.93	1.01
TMLX080C16MP11	FC/MC/PC60D	0.96	0.91	1.01
TMLX080C16MP11	FC/MC62D	0.96	0.92	1.01
TMLX080C16MP11	FC64D	0.99	0.95	0.99
TMLX100C16MP11	FC/MC/PC60D	0.96	0.91	1.01
TMLX100C16MP11	FC/MC62D	0.96	0.92	1.01
TMLX100C16MP11	FC64D	0.99	0.95	0.99
TMLX100C20MP11	FC/MC/PC60D	0.97	0.93	1.02
TMLX100C20MP11	FC/MC62D	0.97	0.94	1.02
TMLX100C20MP11	FC/PC60C	0.97	0.92	1.02
TMLX100C20MP11	HD60	1.00	1.00	1.02

Furnaces	Coils	T.C.	S.C.	KW
TMLX100C20MP11	UC60C	0.96	0.91	1.02
TMLX100C20MP11	UC60D	0.96	0.93	1.01
TMLX120C20MP11	FC/MC/PC60D	0.97	0.93	1.02
TMLX120C20MP11	FC/MC62D	0.97	0.94	1.02
TMLX120C20MP11	FC/PC60C	0.97	0.92	1.02
TMLX120C20MP11	HD60	1.00	1.00	1.02
TMLX120C20MP11	UC60C	0.96	0.91	1.02
TMLX120C20MP11	UC60D	0.96	0.93	1.01
TM9E100C20MP11	FC/MC62D	0.95	0.90	1.01
TM9E100C20MP11	FC64D	0.98	0.93	0.99
TM9E100C20MP11	HD60	1.00	1.00	1.04
TM9E120D20MP11	FC/MC/PC60D	0.95	0.89	0.99
TM9E120D20MP11	FC/MC62D	0.94	0.89	1.00
TM9E120D20MP11	FC64D	0.97	0.92	0.99
TM9E120D20MP11	HD60	1.00	1.00	1.02
TM9E120D20MP11	UC60D	0.95	0.89	1.01
TM9X100C20MP11	FC/MC/PC60D	0.94	0.88	1.00
TM9X100C20MP11	FC/MC62D	0.95	0.90	1.01
TM9X100C20MP11	FC64D	0.98	0.93	0.99
TM9X100C20MP11	HD60	1.00	1.00	1.04
TM9X100C20MP11	UC60D	0.93	0.87	1.01
TM9X120D20MP11	FC/MC/PC60D	0.95	0.89	0.99
TM9X120D20MP11	FC/MC62D	0.94	0.89	1.00
TM9X120D20MP11	FC64D	0.97	0.92	0.99
TM9X120D20MP11	HD60	1.00	1.00	1.02
TM9X120D20MP11	UC60D	0.95	0.89	1.01
Y*LC*C16	FC/PC60C	0.95	0.89	1.02
Y*LC*C20	FC/MC/PC60D	0.96	0.91	1.02
Y*LC*C20	FC/MC62D	0.95	0.91	1.03
Y*LC*C20	FC/PC60C	0.96	0.91	1.02
Y*LC*C20	FC64D	0.99	0.95	1.01
Y*LC*C20	HD60	0.95	0.91	1.01
Y*LC*C20	UC60C	0.94	0.89	1.01
Y*9C*C20	FC/MC/PC60D	0.96	0.91	1.03
Y*9C*C20	FC/MC62D	0.95	0.91	1.02
Y*9C*C20	FC/PC60C	0.96	0.91	1.03
Y*9C*C20	FC64D	0.99	0.94	1.03
Y*9C*C20	HD60	0.96	0.93	1.03
Y*9C*C20	UC60C	0.95	0.90	1.03
Y*9C*D20	FC/MC/PC60D	0.96	0.91	1.03
Y*9C*D20	FC/MC62D	0.97	0.93	1.04
Y*9C*D20	FC64D	1.00	0.96	1.02
Y*9C*D20	HD60	0.96	0.93	1.03
Y*9C*D20	UC60D	0.95	0.91	1.03

COOLING PERFORMANCE DATA - HIGH CFM 2-STAGE OPERATION																
OUTDOOR UNIT MODEL NO.		CZH06012C														
INDOOR COIL MODEL NO.		FC62D + MV20D														
AIR TEMP. ENTERING OUTDOOR UNIT (°F)	ID CFM	1775					1875					1975				
	ID DB (°F)	80	80	75	80	80	80	80	75	80	80	80	80	75	80	80
	ID WB (°F)	57	62	62	67	72	57	62	62	67	72	57	62	62	67	72
65	T.C.	59.6	62.4	59.4	63.7	70.0	60.7	62.5	60.2	65.3	70.5	61.7	62.5	61.0	67.0	70.9
	S.C.	57.8	55.2	42.4	39.9	34.2	58.7	55.9	43.5	42.8	34.6	59.5	56.6	44.7	45.7	35.0
	K.W.	3.20	3.25	3.22	3.32	3.35	3.25	3.30	3.28	3.35	3.40	3.32	3.36	3.35	3.40	3.46
75	T.C.	57.8	59.4	56.9	61.6	67.5	58.8	59.6	57.6	62.9	67.8	59.7	59.8	58.3	64.2	68.1
	S.C.	56.0	53.1	41.2	40.0	33.3	56.8	54.0	42.2	42.3	33.7	57.5	54.8	43.2	44.5	34.0
	K.W.	3.69	3.74	3.71	3.81	3.84	3.75	3.79	3.77	3.85	3.89	3.81	3.85	3.84	3.90	3.95
85	T.C.	56.0	56.4	54.5	59.5	64.9	56.9	56.7	55.0	60.4	65.2	57.7	57.0	55.6	61.4	65.4
	S.C.	54.1	51.1	39.9	40.1	32.5	54.8	52.0	40.9	41.7	32.8	55.5	53.0	41.8	43.3	33.1
	K.W.	4.18	4.22	4.20	4.30	4.34	4.24	4.28	4.26	4.34	4.39	4.31	4.34	4.32	4.39	4.45
95	T.C.	54.2	53.4	52.0	57.4	62.3	55.0	53.9	52.4	58.0	62.5	55.7	54.3	52.9	58.6	62.6
	S.C.	52.2	49.0	38.7	40.2	31.7	52.9	50.1	39.6	41.2	31.9	53.5	51.2	40.4	42.2	32.2
	K.W.	4.67	4.71	4.69	4.79	4.84	4.73	4.76	4.74	4.83	4.89	4.80	4.83	4.80	4.89	4.95
105	T.C.	50.5	50.4	49.1	53.9	58.4	51.4	51.0	49.6	54.4	58.7	52.3	51.5	50.0	54.9	58.9
	S.C.	49.0	47.3	38.0	38.7	30.1	49.8	48.2	38.9	39.6	30.4	50.6	49.2	39.8	40.5	30.7
	K.W.	5.40	5.42	5.40	5.49	5.55	5.46	5.48	5.45	5.54	5.60	5.53	5.54	5.51	5.59	5.66
115	T.C.	46.9	47.5	46.3	50.5	54.7	48.0	48.1	46.8	50.9	55.0	49.0	48.7	47.2	51.3	55.3
	S.C.	45.9	45.6	37.4	37.2	28.6	46.8	46.5	38.3	38.1	29.0	47.7	47.2	39.1	38.9	29.3
	K.W.	6.11	6.12	6.08	6.17	6.24	6.17	6.17	6.13	6.22	6.29	6.24	6.24	6.19	6.28	6.35
125	T.C.	43.3	44.6	43.5	47.2	50.9	44.5	45.3	44.0	47.5	51.3	45.8	45.9	44.4	47.7	51.6
	S.C.	42.7	44.0	36.7	35.8	27.0	43.8	44.7	37.7	36.5	27.5	44.8	45.3	38.5	37.3	27.9
	K.W.	6.82	6.81	6.76	6.86	6.94	6.88	6.86	6.81	6.91	6.99	6.94	6.93	6.87	6.97	7.05

NOTE: ALL CAPACITIES INCLUDE INDOOR FAN HEAT. KW VALUES ARE FOR THE SYSTEM (OUTDOOR + INDOOR).

Multipliers for determining the performance with other indoor sections.

NOTE: For dry bulb temperatures different than those listed (between 73-87 °F), sensible capacity increases by 1060 BTUH per 1000 CFM per degree above the listed temperature and decreases by 1060 BTUH per 1000 CFM per degree below the listed temperature.

HIGH CFM

Air Handlers	Coils	T.C.	S.C.	KW
-	FC64	0.98	0.97	1.01
AHE60D	-	0.99	0.99	1.01
AHV60D	-	0.97	0.94	0.99
MV20D	FC/MC60D	0.98	0.96	1.00
MV20D	FC/MC62D	1.00	1.00	1.00
MV20D	FC64D	1.01	1.01	1.03

Continued on next page.

Furnaces	Coils	T.C.	S.C.	KW
T*(8,L)V*C16	FC/PC60C	0.95	0.90	0.97
T*(8,L)V*C20	FC/MC/PC60D	0.96	0.90	0.98
T*(8,L)V*C20	FC/MC62D	0.97	0.93	0.99
T*(8,L)V*C20	FC/PC60C	0.96	0.90	0.98
T*(8,L)V*C20	FC64D	1.01	1.01	1.03
T*(8,L)V*C20	HD60	0.97	0.92	0.99
T*(8,L)V*C20	UC60C	0.96	0.91	0.98
T*9V*C20	FC/MC/PC60D	0.96	0.91	0.98
T*9V*C20	FC/MC62D	0.97	0.93	0.99
T*9V*C20	FC/PC60C	0.96	0.91	0.98
T*9V*C20	FC64D	0.99	0.96	1.01
T*9V*C20	HD60	0.96	0.93	0.98
T*9V*C20	UC60C	0.96	0.91	0.98
T*9V*D20	FC/MC/PC60D	0.96	0.90	0.98
T*9V*D20	FC/MC62D	0.97	0.93	0.99
T*9V*D20	FC64D	0.99	0.95	1.01
T*9V*D20	HD60	0.97	0.92	0.99
T*9V*D20	UC60D	0.95	0.90	0.97
TM8X080C16MP11	FC/MC/PC60D	0.95	0.89	0.97
TM8X080C16MP11	FC/MC62D	0.96	0.91	0.98
TM8X080C16MP11	FC64D	0.98	0.94	1.00
TM8X100C16MP11	FC/MC/PC60D	0.95	0.89	0.97
TM8X100C16MP11	FC/MC62D	0.96	0.91	0.98
TM8X100C16MP11	FC64D	0.98	0.94	1.00
TM8X100C20MP11	FC/MC/PC60D	0.96	0.90	0.98
TM8X100C20MP11	FC/MC62D	0.97	0.92	0.99
TM8X100C20MP11	FC/PC60C	0.95	0.89	0.97
TM8X100C20MP11	HD60	0.97	0.95	0.97
TM8X100C20MP11	UC60C	0.95	0.89	0.97
TM8X100C20MP11	UC60D	0.95	0.90	0.97
TM8X120C20MP11	FC/MC/PC60D	0.96	0.90	0.98
TM8X120C20MP11	FC/MC62D	0.97	0.92	0.99
TM8X120C20MP11	FC/PC60C	0.95	0.89	0.97
TM8X120C20MP11	HD60	0.97	0.95	0.97
TM8X120C20MP11	UC60C	0.95	0.89	0.97
TM8X120C20MP11	UC60D	0.95	0.90	0.97
TMLX080C16MP11	FC/MC/PC60D	0.95	0.89	0.97
TMLX080C16MP11	FC/MC62D	0.96	0.91	0.98
TMLX080C16MP11	FC64D	0.98	0.94	1.00
TMLX100C16MP11	FC/MC/PC60D	0.95	0.89	0.97
TMLX100C16MP11	FC/MC62D	0.96	0.91	0.98
TMLX100C16MP11	FC64D	0.98	0.94	1.00
TMLX100C20MP11	FC/MC/PC60D	0.96	0.90	0.98
TMLX100C20MP11	FC/MC62D	0.97	0.92	0.99
TMLX100C20MP11	FC/PC60C	0.95	0.89	0.97
TMLX100C20MP11	HD60	0.97	0.95	0.97

Furnaces	Coils	T.C.	S.C.	KW
TMLX100C20MP11	UC60C	0.95	0.89	0.97
TMLX100C20MP11	UC60D	0.95	0.90	0.97
TMLX120C20MP11	FC/MC/PC60D	0.96	0.90	0.98
TMLX120C20MP11	FC/MC62D	0.97	0.92	0.99
TMLX120C20MP11	FC/PC60C	0.95	0.89	0.97
TMLX120C20MP11	HD60	0.97	0.95	0.97
TMLX120C20MP11	UC60C	0.95	0.89	0.97
TMLX120C20MP11	UC60D	0.95	0.90	0.97
TM9E100C20MP11	FC/MC62D	0.96	0.91	0.98
TM9E100C20MP11	FC64D	0.98	0.94	1.00
TM9E100C20MP11	HD60	0.97	0.95	0.97
TM9E120D20MP11	FC/MC/PC60D	0.95	0.89	0.97
TM9E120D20MP11	FC/MC62D	0.96	0.91	0.98
TM9E120D20MP11	FC64D	0.98	0.93	1.00
TM9E120D20MP11	HD60	0.97	0.94	0.99
TM9E120D20MP11	UC60D	0.94	0.88	0.96
TM9X100C20MP11	FC/MC/PC60D	0.94	0.88	1.00
TM9X100C20MP11	FC/MC62D	0.96	0.91	1.00
TM9X100C20MP11	FC64D	0.98	0.94	1.00
TM9X100C20MP11	HD60	0.97	0.95	0.97
TM9X100C20MP11	UC60D	0.94	0.88	1.00
TM9X120D20MP11	FC/MC/PC60D	0.95	0.89	0.99
TM9X120D20MP11	FC/MC62D	0.96	0.91	1.00
TM9X120D20MP11	FC64D	0.98	0.93	1.00
TM9X120D20MP11	HD60	0.97	0.94	0.99
TM9X120D20MP11	UC60D	0.94	0.88	1.00
Y*LC*C16	FC/PC60C	0.95	0.90	0.97
Y*LC*C20	FC/MC/PC60D	0.96	0.90	0.98
Y*LC*C20	FC/MC62D	0.97	0.93	0.99
Y*LC*C20	FC/PC60C	0.96	0.90	0.98
Y*LC*C20	FC64D	1.01	1.01	1.03
Y*LC*C20	HD60	0.97	0.92	0.99
Y*LC*C20	UC60C	0.96	0.91	0.98
Y*9C*C20	FC/MC/PC60D	0.96	0.91	0.98
Y*9C*C20	FC/MC62D	0.97	0.93	0.99
Y*9C*C20	FC/PC60C	0.96	0.91	0.98
Y*9C*C20	FC64D	0.99	0.96	1.01
Y*9C*C20	HD60	0.96	0.93	0.98
Y*9C*C20	UC60C	0.96	0.91	0.98
Y*9C*D20	FC/MC/PC60D	0.96	0.90	0.98
Y*9C*D20	FC/MC62D	0.97	0.93	0.99
Y*9C*D20	FC64D	0.99	0.95	1.01
Y*9C*D20	HD60	0.97	0.92	0.99
Y*9C*D20	UC60D	0.95	0.90	0.97